

# Ergo-Boost

## Desk Riser



# Ergo-Boost

## Desk Riser

### Transform your workspace

In today's agile world, where more people work remotely than ever before, home working environments have never been more important. The Ergo-Boost Desk Riser is an affordable way to transform desks or work areas into sit-stand workstations, offering flexibility to smoothly change working postures throughout the day.

It offers plenty of workspace, while being compact enough to store away when not in use. This makes it a valuable ergonomic addition to any home office.



## Why choose Ergo-Boost Desk Riser?

### Secure and stable

Wide footprint means it will not topple over.

### Smooth transition

The height adjustment uses a gas spring, allowing for a smooth, fast and seamless transition from sit-to-stand and vice versa. Vertical height adjustment ensures viewing distance is maintained, whether the user is sitting or standing.

### Space saving

The large, flat work surface provides space for up to two monitors (or laptop and monitor) and personal documents. The compact design means it can be stored away when not in use.

### Safe

Designed with safety in mind. There are no pinch points or sharp corners, eliminating risk hazards to the user.

### Simple to use

Adjusted by a handle under the surface that releases and locks it in place. No assembly is required – use it straight out of the box.

### Ergonomic keyboard tray

This conforms to European Standards for keyboard support and includes:

- Enough width for a full-size keyboard with the mouse on the left or right-hand side.
- Enough depth for the keyboard and 150mm of wrist support area in front.
- The keyboard tray rests directly onto the worktop in its lowest position.

### Ergonomic benefits

A monitor arm can be mounted for added ergonomic benefits.

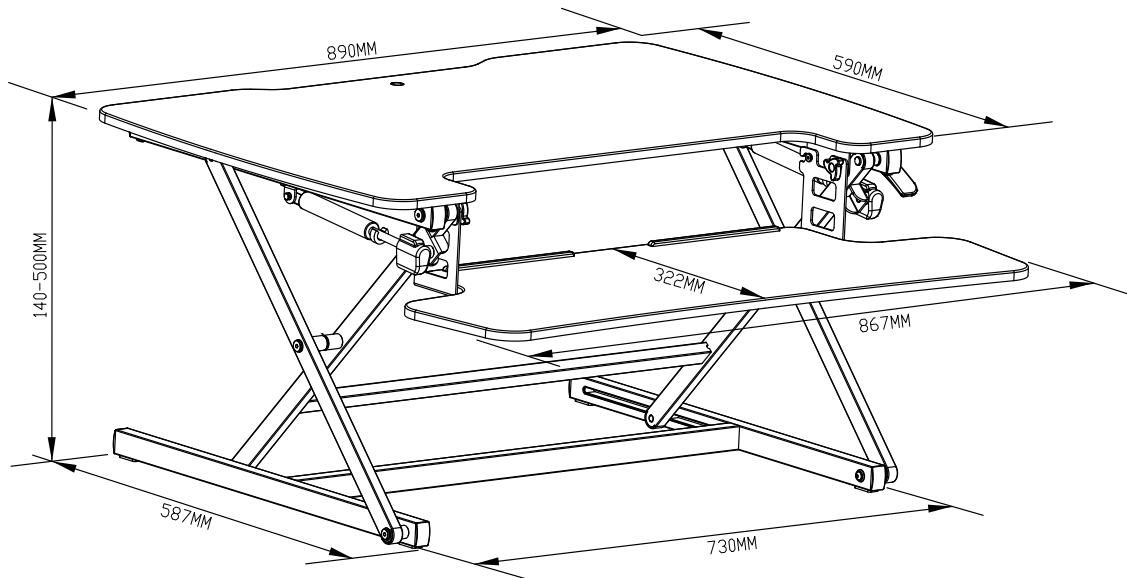
### Affordable

A cost-effective alternative to a sit-stand desk.



# Ergo-Boost

## Specifications



| Height Range | Work Surface Size | Keyboard Tray Size | Work Surface Load Capacity | Keyboard Tray Capacity |
|--------------|-------------------|--------------------|----------------------------|------------------------|
| 140-500mm    | 890x590mm         | 867x322mm          | 15kg                       | 2kg                    |

| Easy Installation   | Anti-Pinch   |
|---|--|
| <p>Easy release attachment lets the user choose whether they want to use the keyboard tray.</p> | <p>Hands are not pinched when the workstation is adjusted.</p> |

| Colours available                                      |          |
|--|----------|
| Black  | White    |
| Material   |          |
| Powder coated steel frame<br>Foil wrapped MDF surfaces | Warranty |
|  | 5 years  |



Create workspaces that work.

Contact Adapt Deutschland GmbH for more information,  
pricing and samples.

+49 (0) 2154 891 40 0

[infode@adapt-global.com](mailto:infode@adapt-global.com)

[www.adapt-deutschland.eu](http://www.adapt-deutschland.eu)