

# Ergo-Boost

## Laptop Stand

The Ergo-Boost Laptop Stand from Adapt offers the greatest possible flexibility, whether working from home, the office or on the move.

Eight incremental height adjustment steps allow you to achieve the optimum viewing position. When combined with a wireless keyboard and mouse, the Laptop Stand provides the ideal basis for ergonomic working almost anywhere.

Constructed with a gently rounded, lightweight, hard anodised aluminium frame, the Laptop Stand can be folded flat and slipped easily inside a handbag or briefcase.

Soft TPE pads bonded to the aluminium provide exceptional stability and grip whilst preventing scratching or damage to the laptop or work surface.

Another great feature of the Ergo-Boost Laptop Stand is that when raised, it allows air to circulate around the laptop, preventing overheating and damage.



Future-proof  
designs



Customised  
solutions



Customer  
support



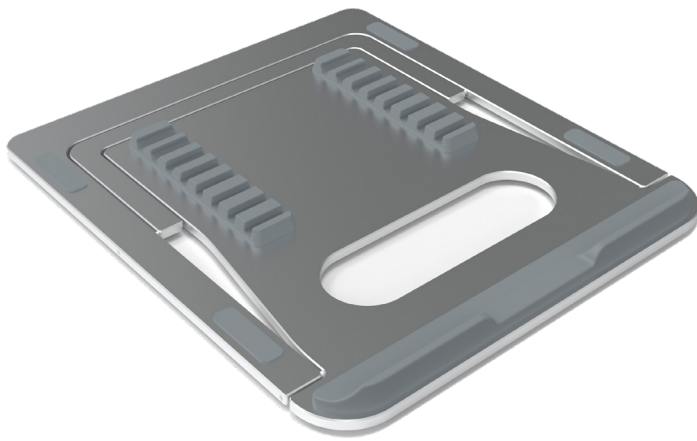
Product  
continuity



Lifetime  
guarantee



Sustainable  
solutions



## Specifications

Product Code	Description
LAPT-101SL	Ergo-Boost, Laptop Stand, Silver/Grey

### Dimensions:

220 Wide x 250 Long x 14.5mm Thick.

### Weight:

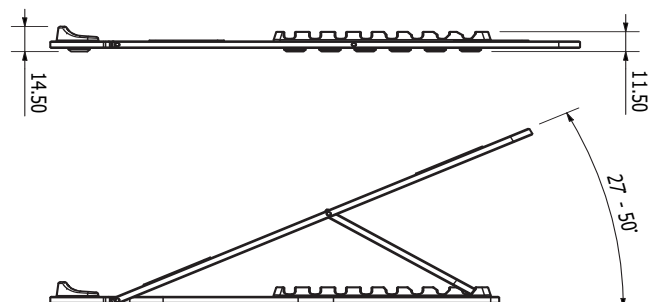
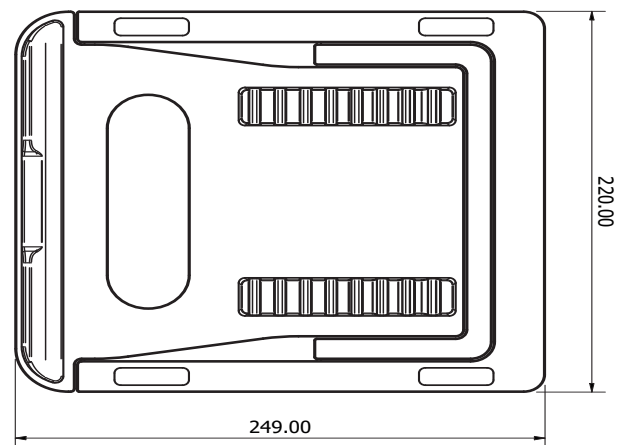
530 Grams (unpackaged).

### Adjustment Angles:

27, 32, 36, 40, 44, 46, 48 and 50 Degrees from horizontal.

### Construction:

4mm Aluminium frame with chamfered and rounded edges.  
 Clear, textured, hard anodised finish.  
 Grey TPE pads on the upper and lower faces of the frame.





Create workspaces that work.

Contact Adapt Deutschland GmbH for more information,  
pricing and samples.

+49 (0) 2154 891 40 0

[infode@adapt-global.com](mailto:infode@adapt-global.com)

[www.adapt-deutschland.eu](http://www.adapt-deutschland.eu)