

PC & Laptop Holders

Protect your computer

CPU holders lift your PC from the floor, protecting it from damage, static and dust build-up. This saves valuable desk space and extends the life of your computer.

The ergonomic design of our CPU holders allows you to access the front and rear of the PC with ease. This reduces the risk of injury and saves valuable time.

Adapt offers a selection of compact and unobtrusive CPU holders capable of holding up to 20kg, with a range of mounting and bracket options.



Future-proof
designs



Customised
solutions



Customer
support



Product
continuity



Lifetime
guarantee



Sustainable
solutions

Elevator

The Elevator CPU holder holds your PC safely under your desk, using a breathable mesh sling to prevent overheating and accommodate virtually any shape and size of PC.

Elevator is available with standard and telescopic tracks, enabling your PC to slide back and forth under the desk for easy access and servicing.

There are also fixed mounting options and a wide range of customised mounting brackets.



Future-proof
designs



Customised
solutions



Customer
support



Product
continuity



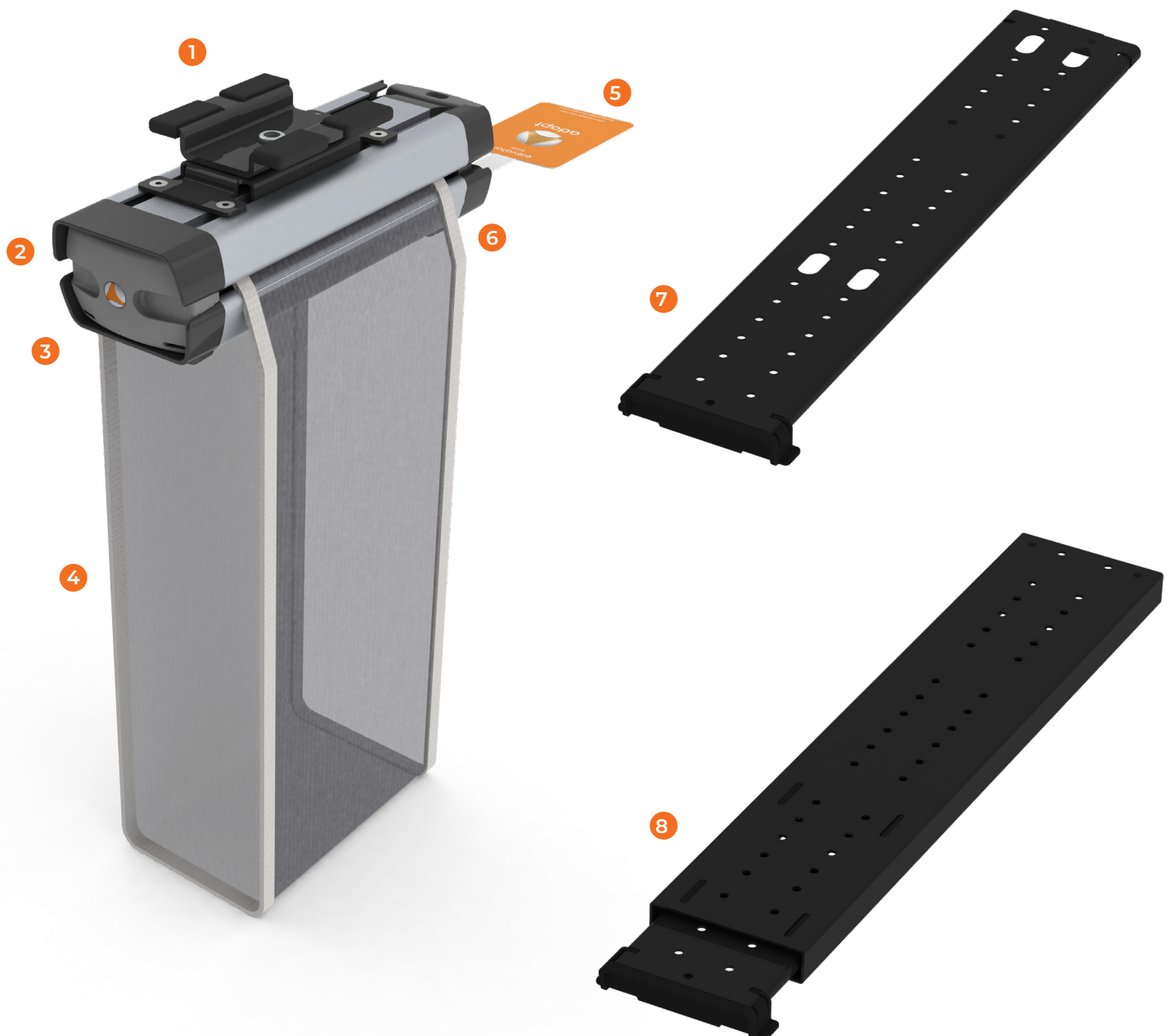
Lifetime
guarantee



Sustainable
solutions

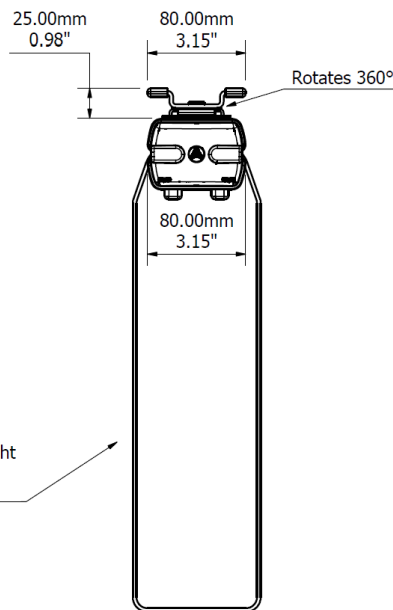
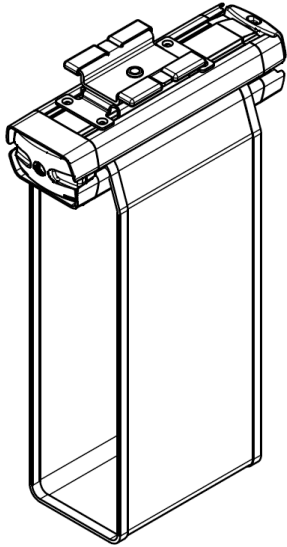
Key Features

- 1 Rotating mounting plate
- 2 Ratchet winding system to raise the PC from the floor
- 3 Compact and unobtrusive
- 4 Breathable mesh fabric sling prevents the CPU from damage and overheating
- 5 Winding key and operating instructions.
- 6 PC secured in the sling by soft holding feet at the base of the elevator
- 7 The Standard Track system enables a CPU holder to slide back and forth under your desk, allowing easy access for servicing etc.
- 8 The Telescopic Track benefits from the Standard Track features above. It also allows the PC to be extended out from under your desk, creating easy access for maintenance.



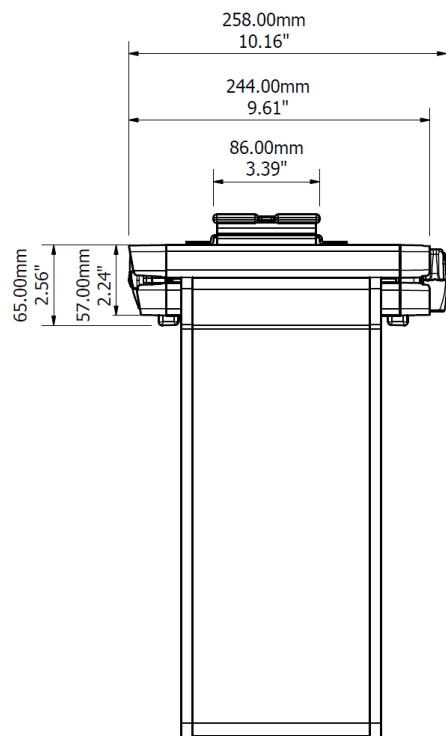
Specifications

ELVTR01



Circumference
0-1490mm
0 - 58.66"

Maximum CPU weight
20kgs



Product Code

Description

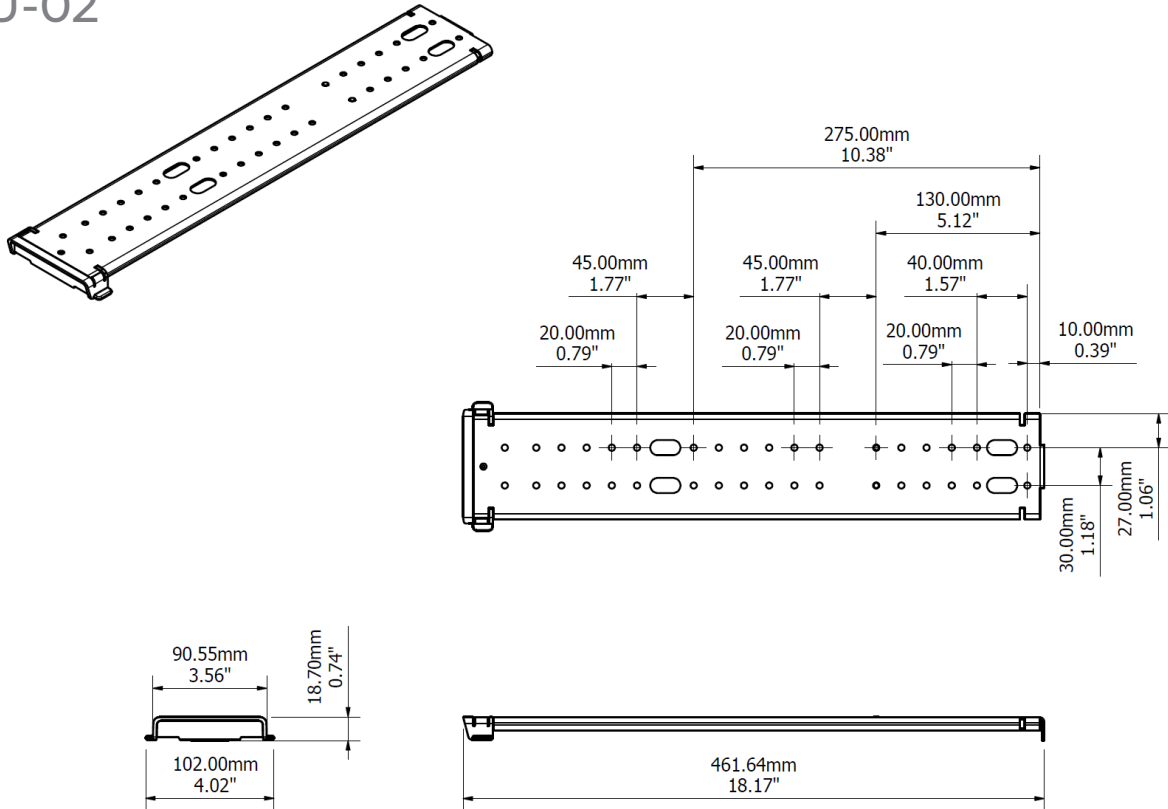
ELVTR01

Elevator CPU Holder with Rotate Plate

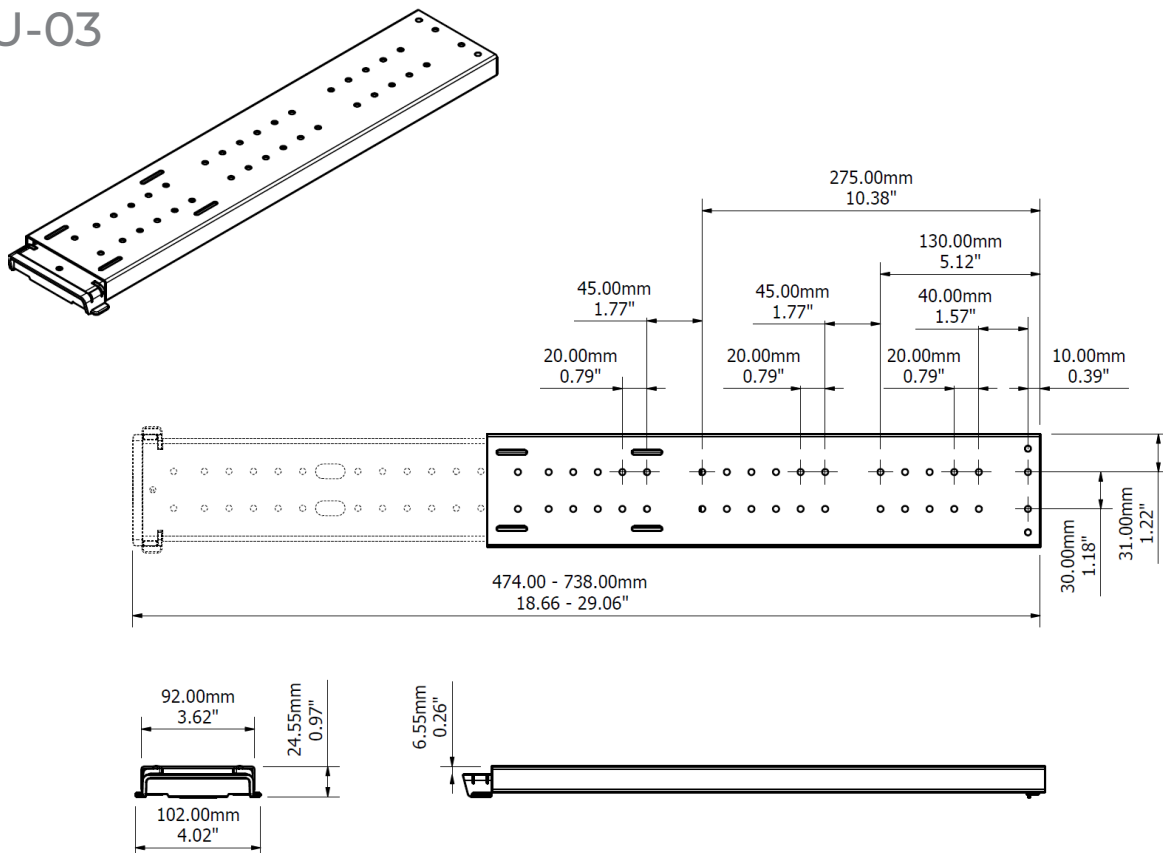


Specifications

CPU-02



CPU-03



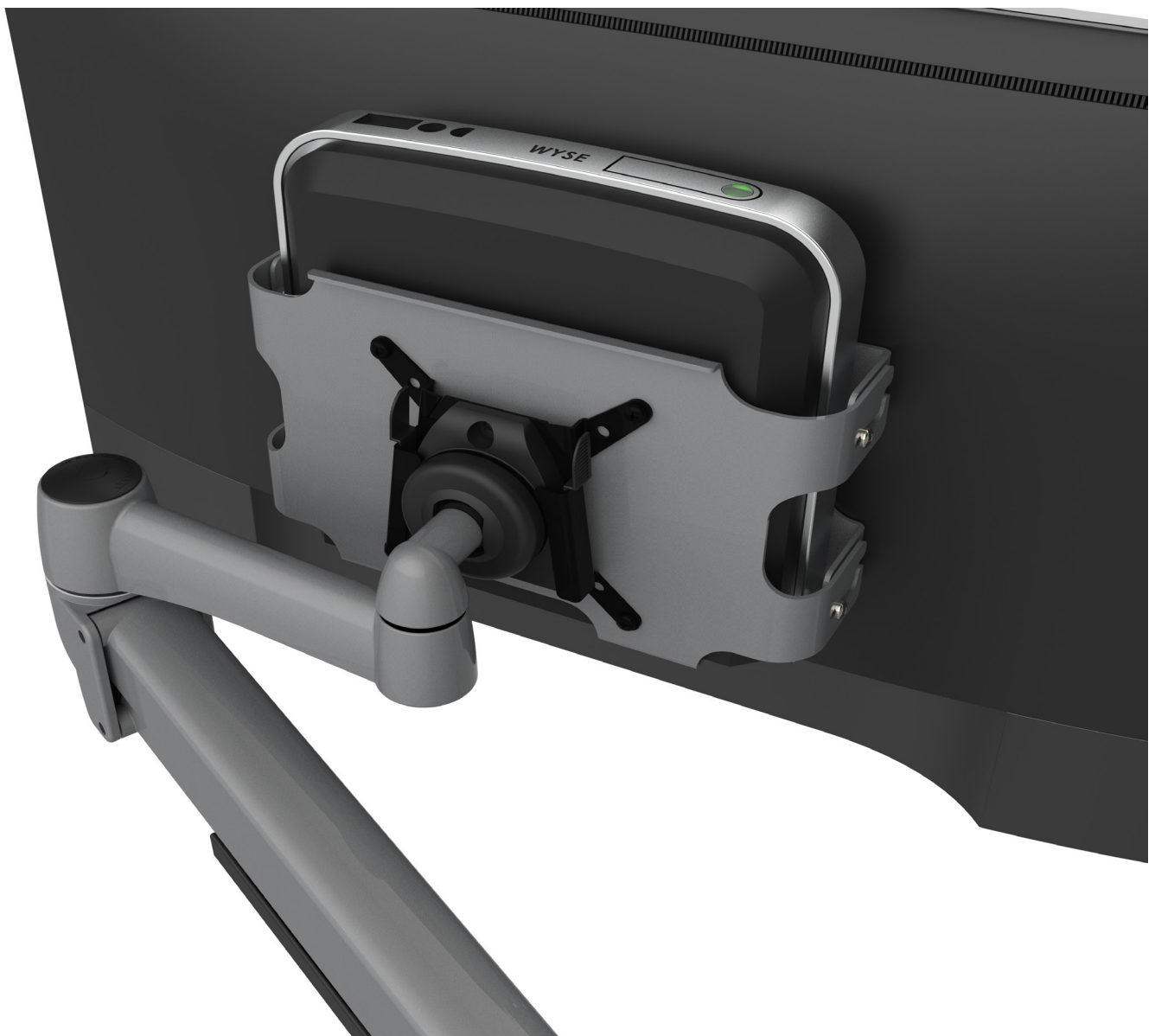
Product Code	Description
CPU-02	Single Track (only available in Black)
CPU-03	Telescopic Track (only available in Black)



Thin Client Holders

The Thin Client Holder is an ideal option for offices where space is at a premium. It lifts the PC from the desk, freeing up valuable work surface space and helping to keep the office tidy. It is available with two mount options, the VESA Mount and the Base Mount.

VESA Mount



Future-proof
designs



Customised
solutions



Customer
support



Product
continuity



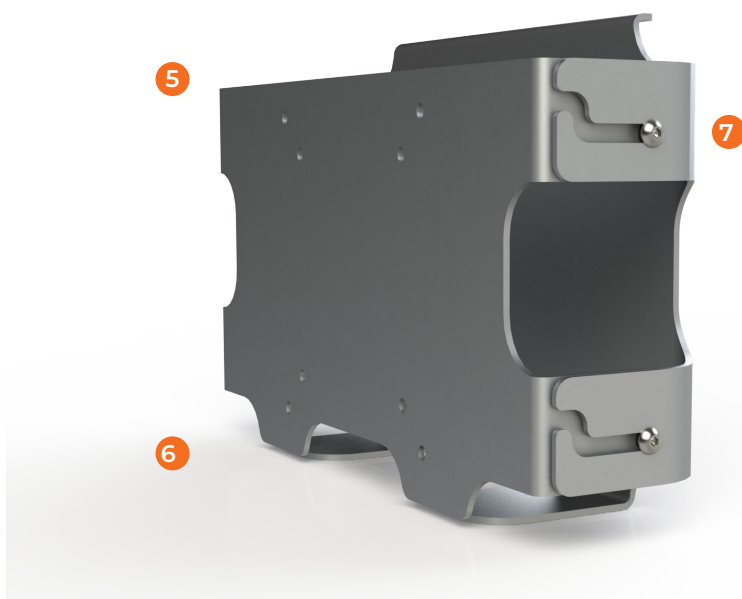
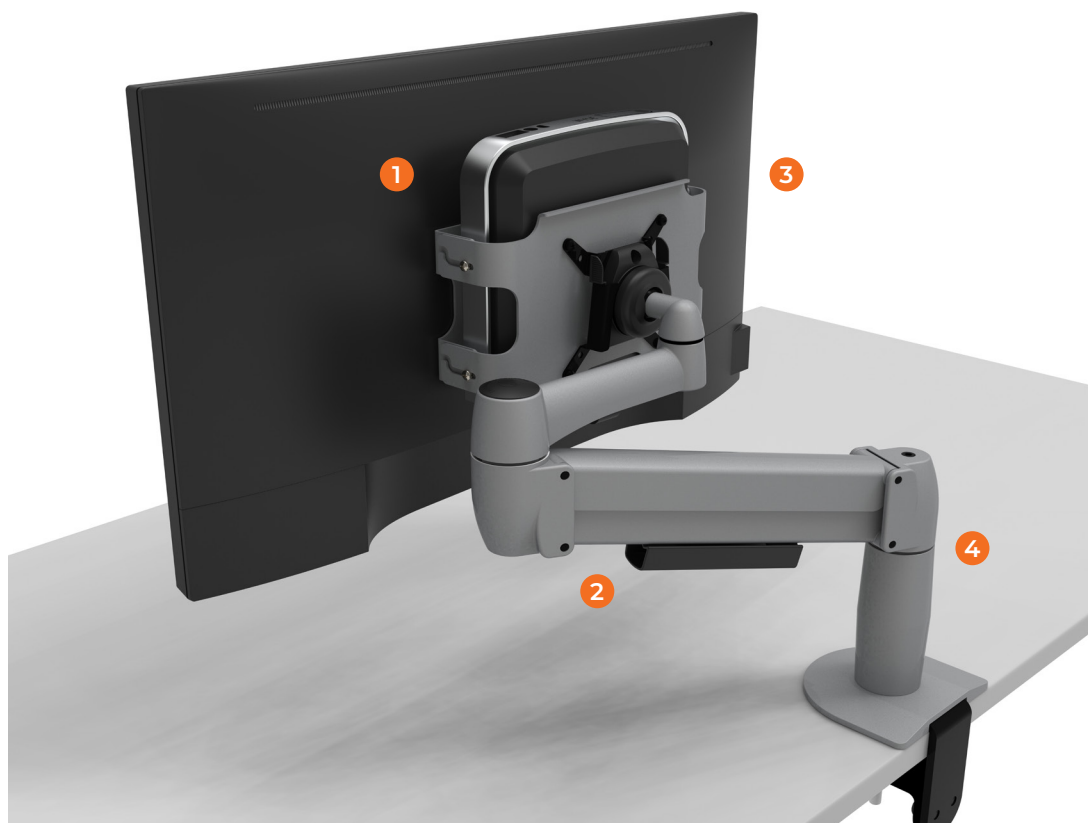
Lifetime
guarantee



Sustainable
solutions

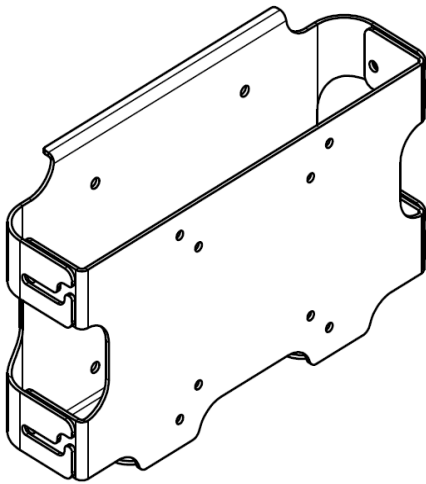
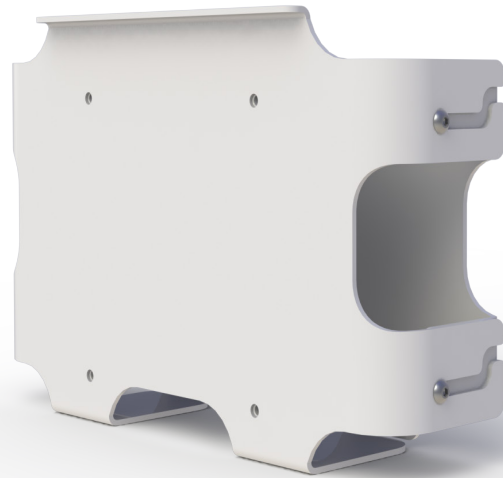
Key Features

- 1 Lifts your PC up from the floor and desk surface
- 2 Cables pass freely through the VESA mounted holder and monitor arm
- 3 CPU holder is fixed in one secure position
- 4 No restriction of movement to the monitor arm
- 5 Extremely lightweight
- 6 Ergonomic design
- 7 Adjustable to fit various PCs

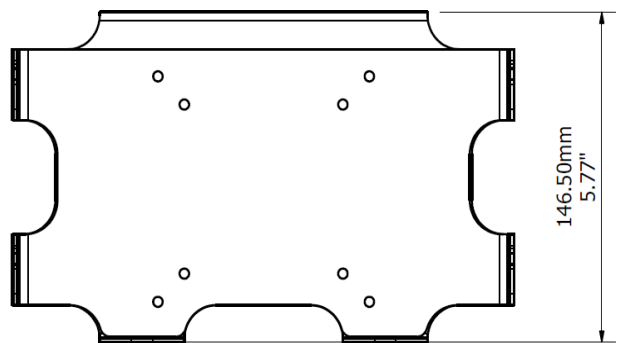
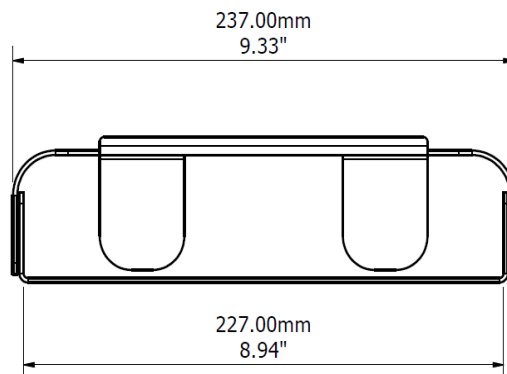
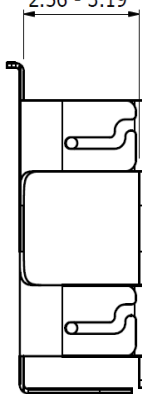


Specifications

AACY-116



Adjustable
65mm - 81mm
2.56 - 3.19"

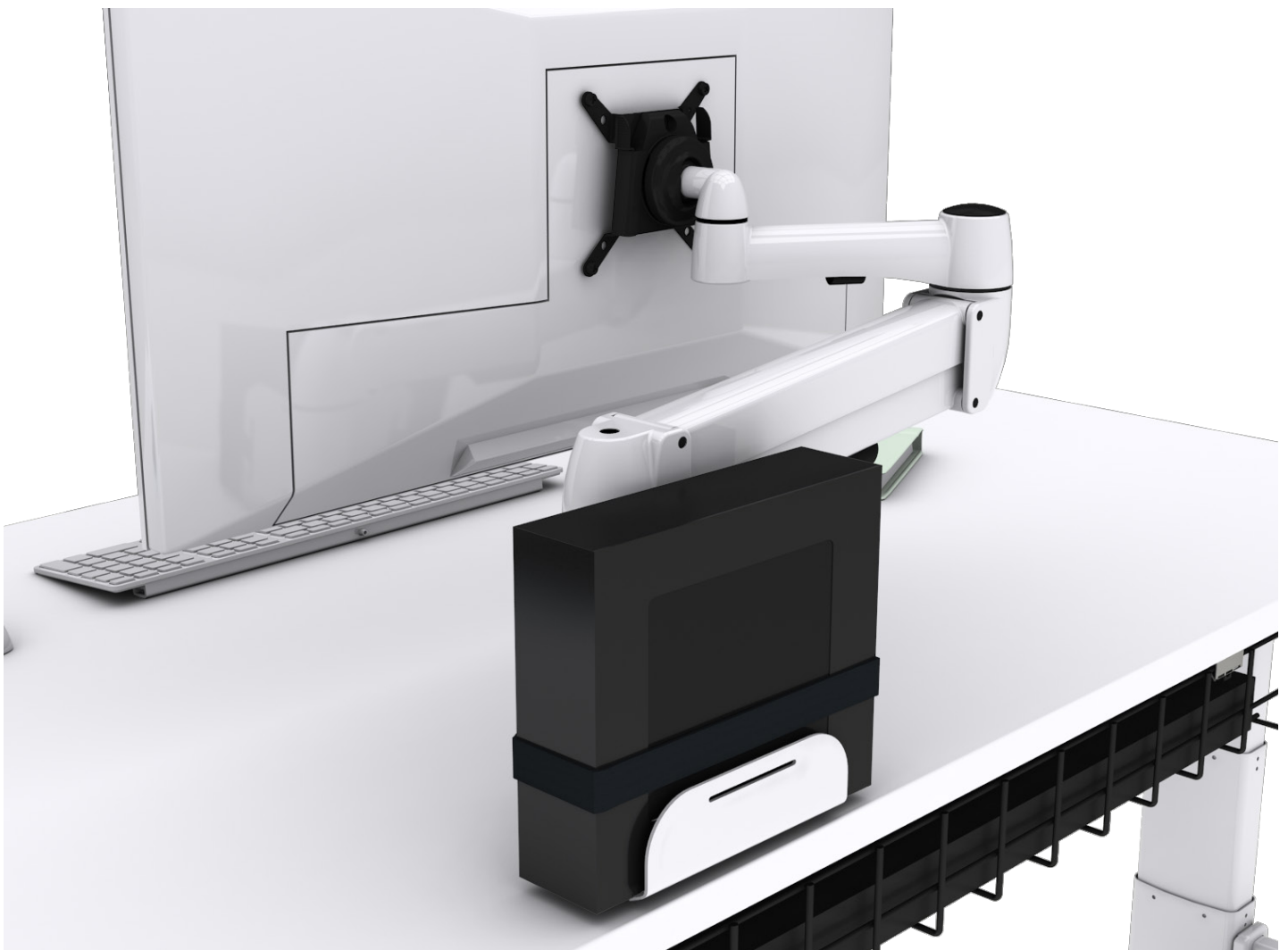


Product Code	Description
AACY-116BK	Thin Client Holder - VESA Mounted in Black



Thin Client Holders

Base Mount



Future-proof
designs



Customised
solutions



Customer
support



Product
continuity



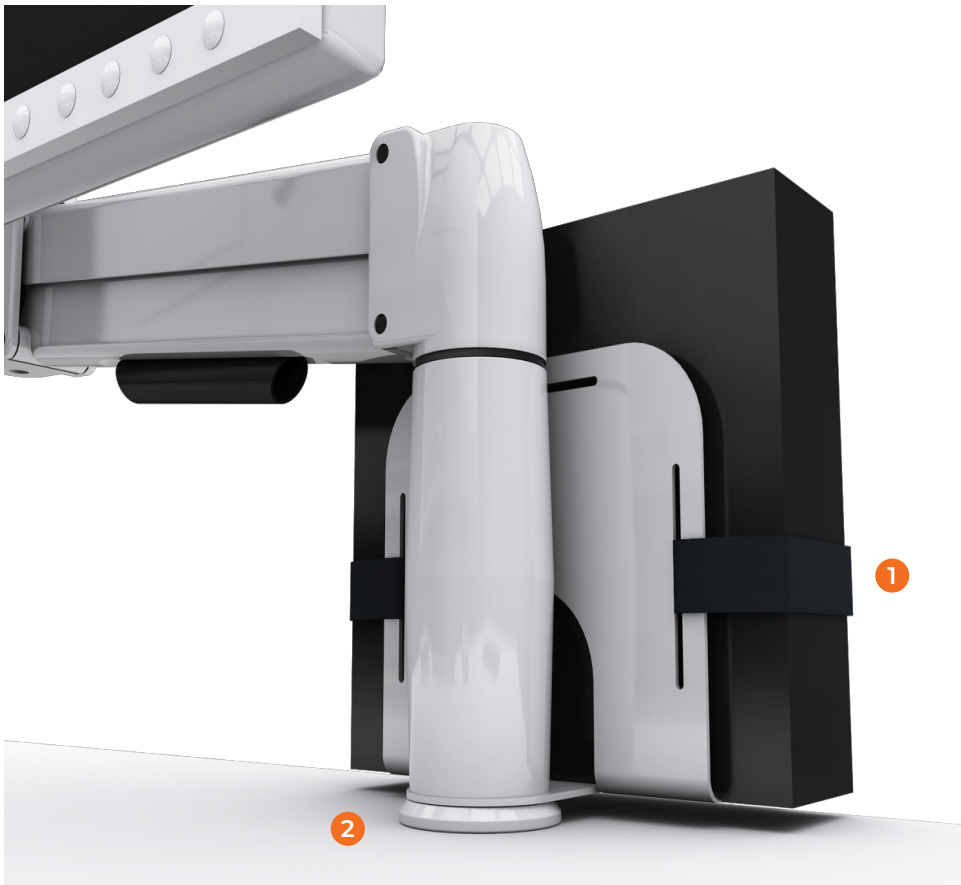
Lifetime
guarantee



Sustainable
solutions

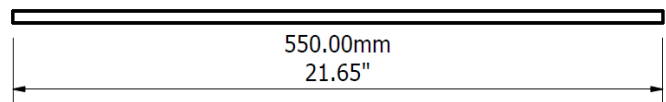
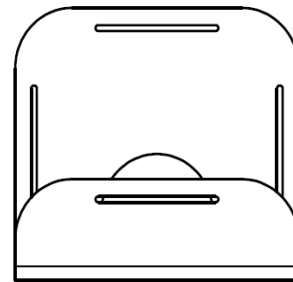
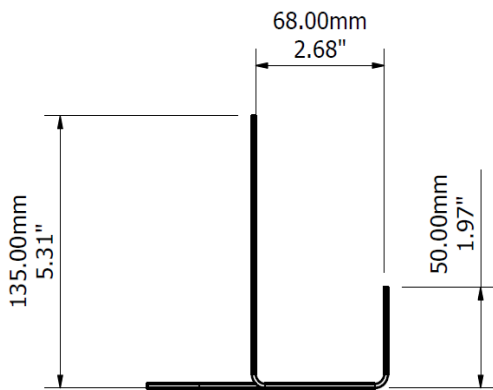
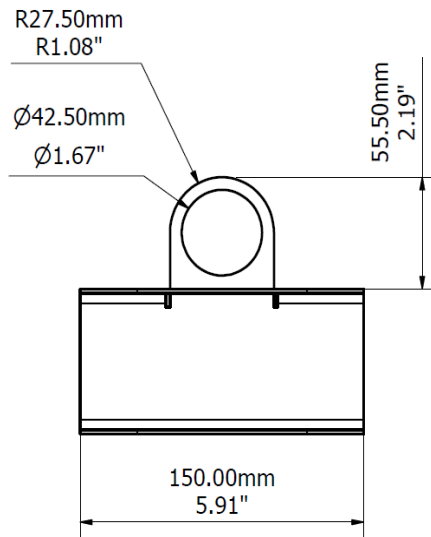
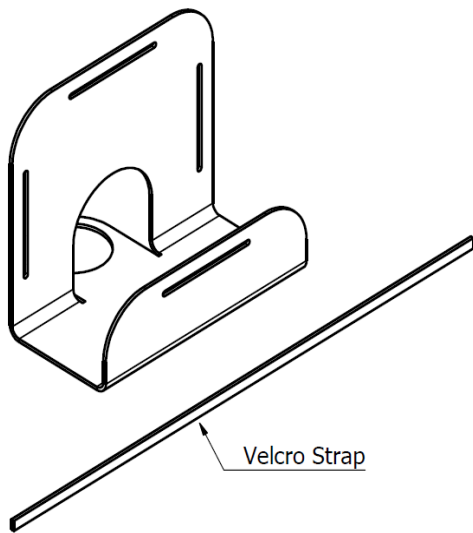
Key Features

- 1 Optional security straps reduce the risk of damage to your PC
- 2 Flexibility to rotate the CPU holder around your monitor arm
- 3 CPU holder is fixed in one secure position
- 4 PC is easily accessible



Specifications

CPUH-129



Product Code	Description
CPUH-129BK	Thin Client Holder - Base Mounted in Black



Ergo-Boost

Tablet Mount

Flexibility for the way you work

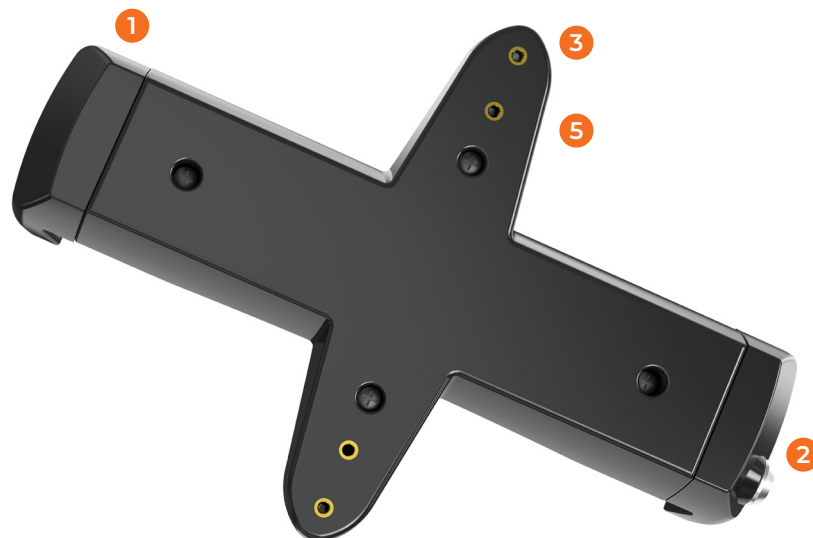
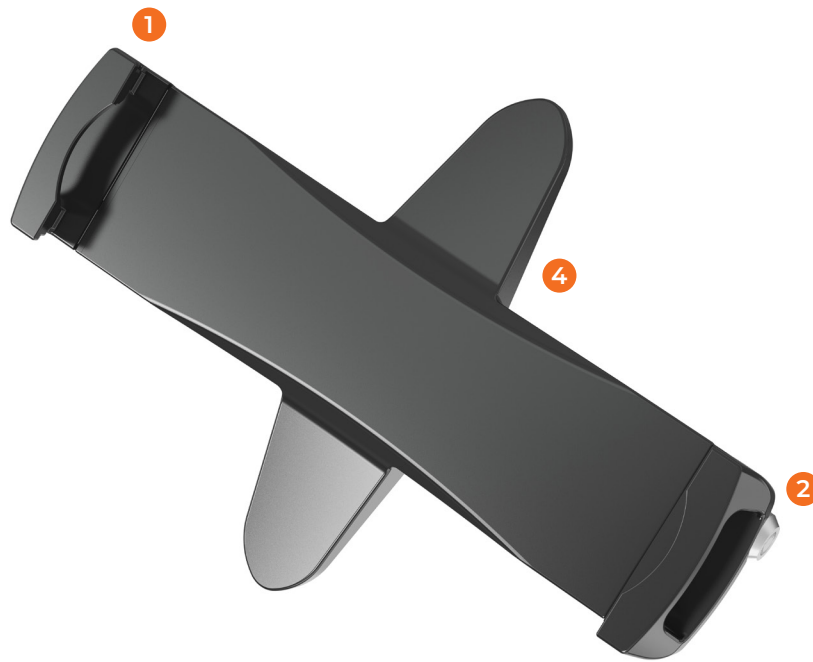
Touchscreens have changed the way we live and work. However, holding tablets for long periods of time can cause strain on our hands, neck and back. The Ergo-Boost Tablet Mount prevents this strain and frees up hands, for a more comfortable working posture.

Ergo-Boost tablet holder can be used in a wide range of environments, from home office, to retail, food service and hospitality settings. It is designed to be mounted to a monitor arm, offering a flexible, ergonomic set-up that can accommodate different users.



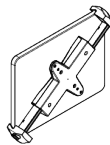
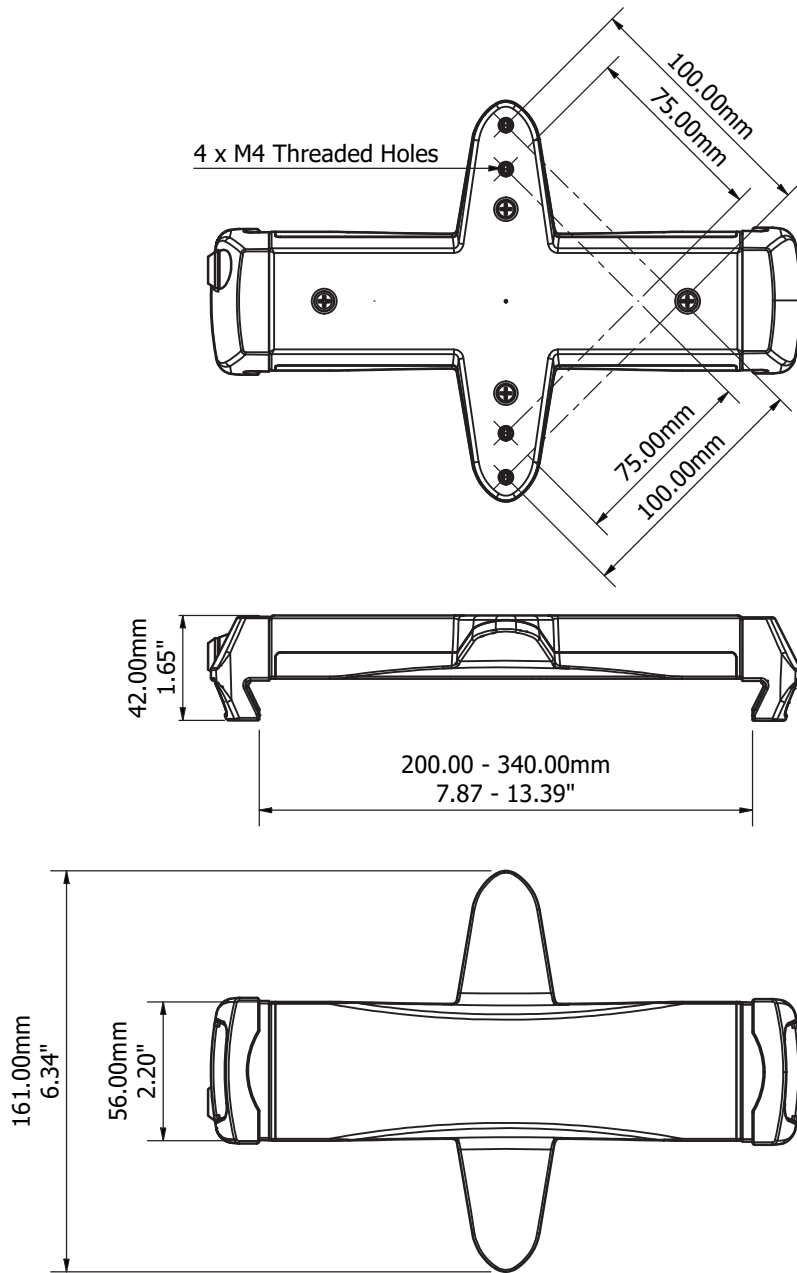
Key Features

- 1 Adjustable crossbar synchronised for one handed opening
 - 2 Lockable design prevents theft of tablet
 - 3 VESA mounting option allows tablets to be used hands free
 - 4 Sleek design blends into modern interiors
 - 5 Attaches to any monitor arm
-



Specifications

TABL-008BK



Tablet Mount	Maximum weight	Screen size	Material	Colour
TABL-008BK	2kg	7.9" - 12.5"	Steel, plastic	Gloss, Black

Ergo-Boost

Laptop Stand

The Ergo-Boost Laptop Stand from Adapt offers the greatest possible flexibility, whether working from home, the office or on the move.

Eight incremental height adjustment steps allow you to achieve the optimum viewing position. When combined with a wireless keyboard and mouse, the Laptop Stand provides the ideal basis for ergonomic working almost anywhere.

Constructed with a gently rounded, lightweight, hard anodised aluminium frame, the Laptop Stand can be folded flat and slipped easily inside a handbag or briefcase.

Soft TPE pads bonded to the aluminium provide exceptional stability and grip whilst preventing scratching or damage to the laptop or work surface.

Another great feature of the Ergo-Boost Laptop Stand is that when raised, it allows air to circulate around the laptop, preventing overheating and damage.



Future-proof
designs



Customised
solutions



Customer
support



Product
continuity



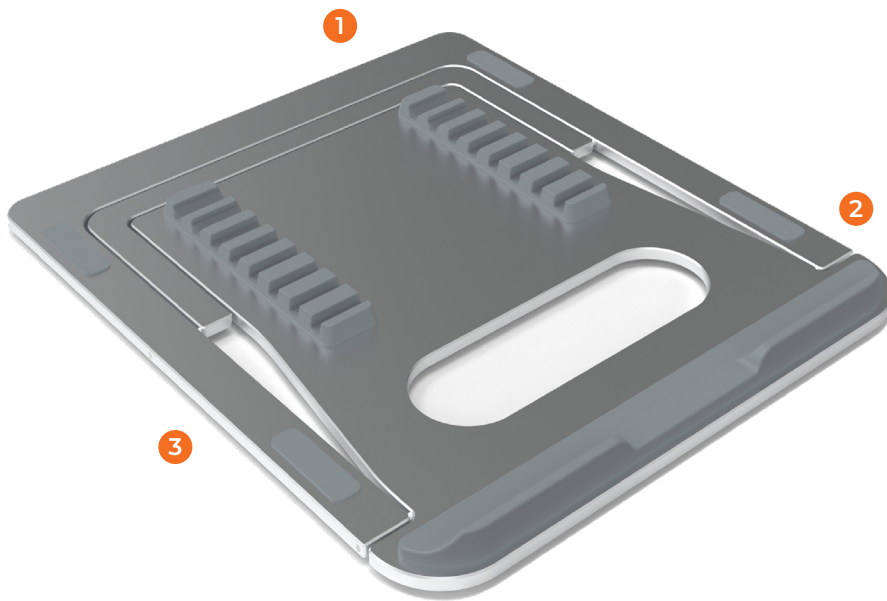
Lifetime
guarantee



Sustainable
solutions

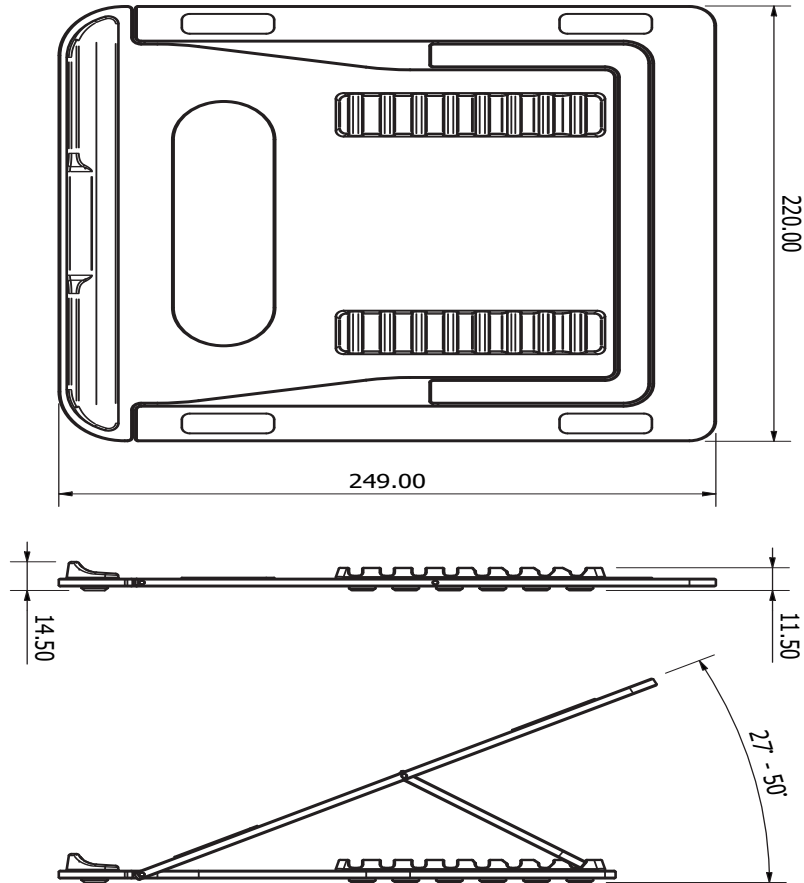
Key Features

- 1 Eight incremental height adjustment steps
 - 2 Rounded, lightweight, hard anodised aluminium frame
 - 3 Can be folded flat
 - 4 Soft TPE pads bonded to the aluminium provide exceptional stability
 - 5 Allows air to circulate
-



Specifications

LAPT-101SL



Adjustment Angles:

27, 32, 36, 40, 44, 46, 48 and 50 Degrees from horizontal.

Dimensions:

220 Wide x 250 Long x 14.5mm Thick.

Construction:

4mm Aluminium frame with chamfered and rounded edges.
Clear, textured, hard anodised finish.
Grey TPE pads on the upper and lower faces of the frame.

Weight:

530 Grams (unpackaged).

Product Code	Description
LAPT-101SL	Ergo-Boost, Laptop Stand, Silver/Grey





Create workspaces that work.

Contact Adapt Deutschland GmbH for more information,
pricing and samples.

+49 (0) 2154 891 40 0

infode@adapt-global.com

www.adapt-deutschland.eu