

Desk Toolrails



SpaceBeam

Organise your workspace

SpaceBeam toolrails are ergonomically designed to keep your work items within easy reach, helping you work efficiently and productively. Using a SpaceBeam increases valuable desk space and helps keep workspaces organised.

Our SpaceBeam range can easily be installed to any workstation as a single or two-tier toolrail. They are available with a range of accessories such as shelves, document trays, pen holders and much more. They are also compatible with Adapt's SpaceArm monitor arm system and Wave LED task light range.



Why choose SpaceBeam?

Space Saving

SpaceBeam lifts items off the worktop, freeing up valuable desk space.

Choice of mounting options

With a wide range of mounting options to choose from, SpaceBeam can be mounted to virtually any workstation.

Compatible with ergonomic range

Including SpaceArm monitor arm system, Wave light and a wide range of accessories to enhance the workspace.

Customisable

SpaceBeam can be customised in the following ways to suit your workstation requirements:

- Length
- Height
- Tiers: choose from one or two-tier options
- Sides: choice of single or double-sided options
- Colour: Available in Black, Platinum or White
- Wide range of mounting options

Lifetime guarantee

For peace of mind.



Future-proof designs



Customised solutions



Customer support



Product continuity



Lifetime guarantee



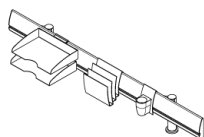
Sustainable solutions



Desk Toolrails

SpaceBeam I

SpaceBeam I is a single sided toolrail that can be used on individual workstations as well as bench desk-ing systems.



Standard beam lengths

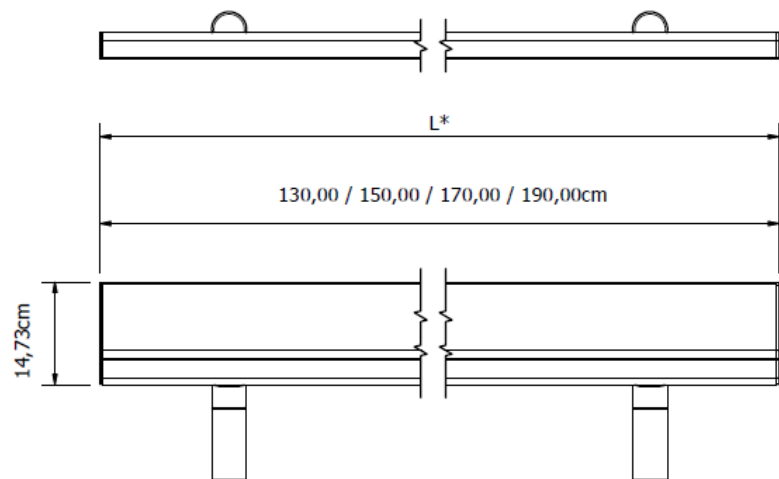
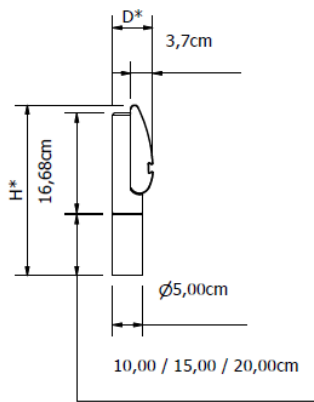
Product	Dimensions (L)	Construction	Colour
SPBS140	130,00cm	Aluminium extrusion	Black, Platinum and White
SPBS160	150,00cm		
SPBS180	170,00cm		
SPBS200	190,00cm		

Mounting posts

Product	Dimensions (H)	Mounting (XX)	Construction	Colour
SPBMXX10	10,00cm	BT, CC, GT, CL	Aluminium die casting	Black, Platinum and White
SPBMXX15	15,00cm			
SPBMXX20	20,00cm			



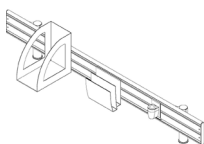
SpaceBeam I



Desk Toolrails

SpaceBeam II

The SpaceBeam II is the ideal choice for back-to-back desking. One SpaceBeam II accommodates two desks, offering a cost-effective solution.



Standard beam lengths

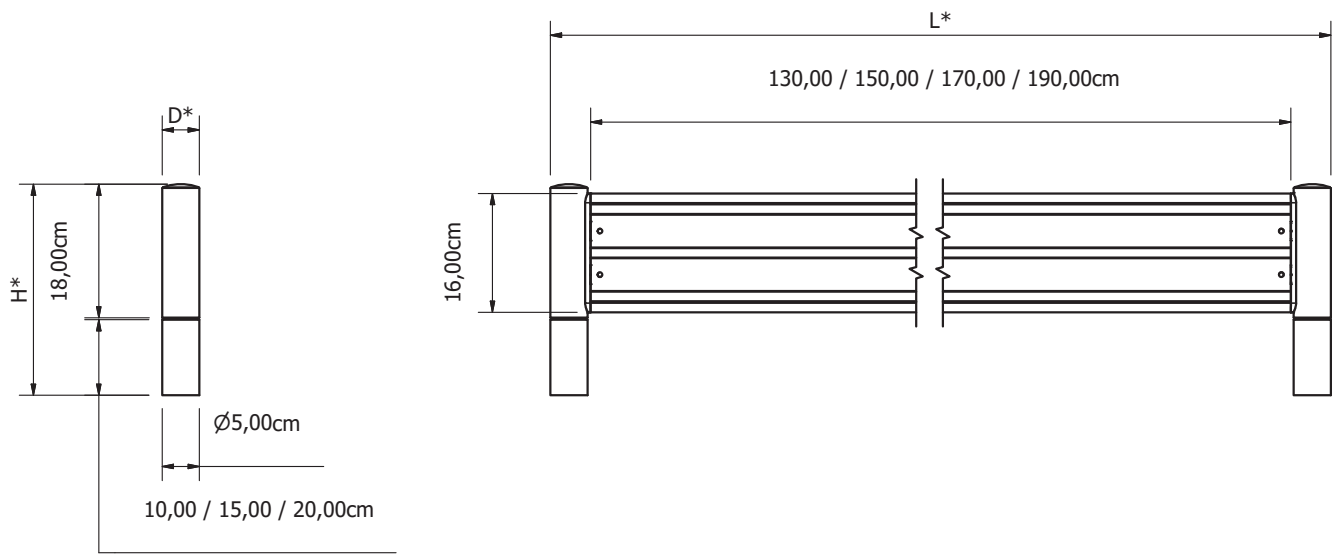
Product	Dimensions (L)	Construction	Colour
SPB2S140	130,00cm	Aluminium extrusion	Black, Platinum and White
SPB2S160	150,00cm		
SPB2S180	170,00cm		
SPB2S200	190,00cm		

Mounting posts

Product	Dimensions (H)	Mounting (XX)	Construction	Colour
SPB2MXX10	10,00cm	BT, CC, GT, CL	Aluminium die casting	Black, Platinum and White
SPB2MXX15	15,00cm			
SPB2MXX20	20,00cm			


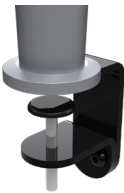




SpaceBeam II



Mounting options

We offer a wide range of standard mounting options as well as customised solutions for other furniture manufacturers. Please speak to your local representative to find out more.

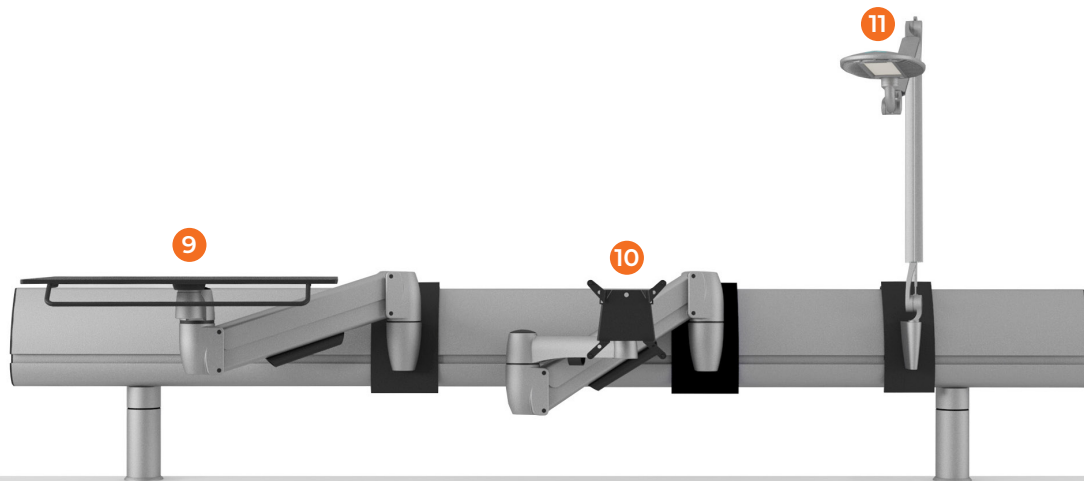
Mount	Description	Suitable for one-tier	Suitable for two-tier
 <p>BT</p>	<p>Bolt Through: Secure and subtle, the Bolt Through is fixed through the desktop.</p> <p>Suitable for desktop thickness of 20 - 40mm</p>	✓	✓
 <p>CC</p>	<p>C-Clamp: Clamps on without the need to remove or screw through the desktop, allowing quick mounting.</p> <p>Suitable for desktop thickness of 0 - 92mm</p>	✓	✗
 <p>GT</p>	<p>Grommet Mount: Provides hole for cable management (hole must be cut out from desk).</p> <p>Suitable for desktop thickness of 0 - 50mm</p>	✓	✗
 <p>CL</p>	<p>Large C-Clamp: Wider base above desk gives improved balance for heavy duty setups. 1 or 2 tier.</p> <p>Suitable for desktop thickness of 0 - 92mm</p>	✓	✓



SpaceBeam I Accessories

SpaceBeam I has a number of unique accessories to create a flexible, reliable and robust solution.

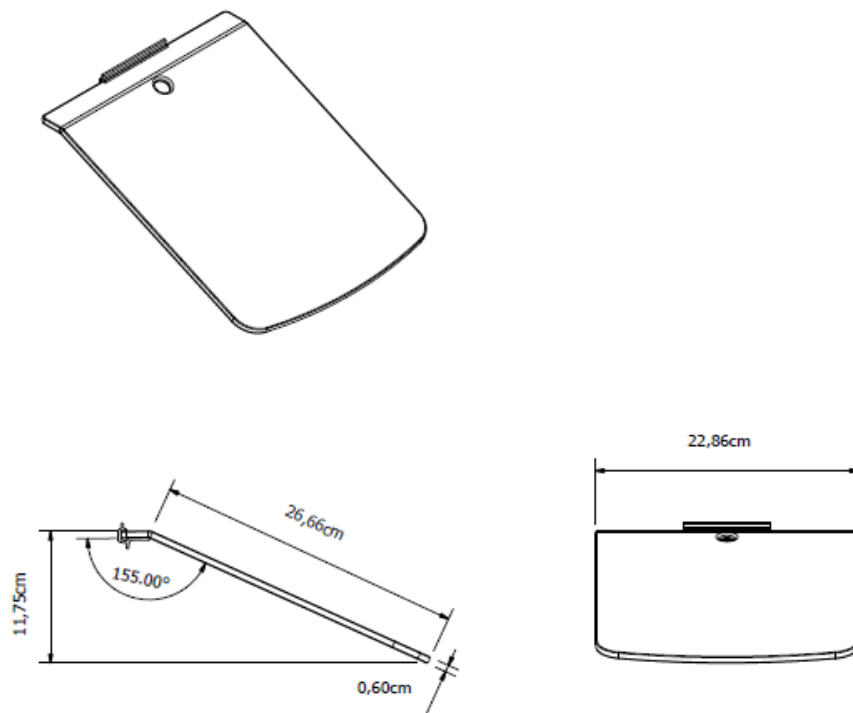
- 1 Telephone Shelf
- 2 Glass Shelf (3 sizes available)
- 3 Vase
- 4 Pencil Cup
- 5 File Rack
- 6 Notebook Holder
- 7 In Out Tray
- 8 Binder Bin
- 9 Laptop Platform
- 10 SpaceArm
- 11 Wave Light



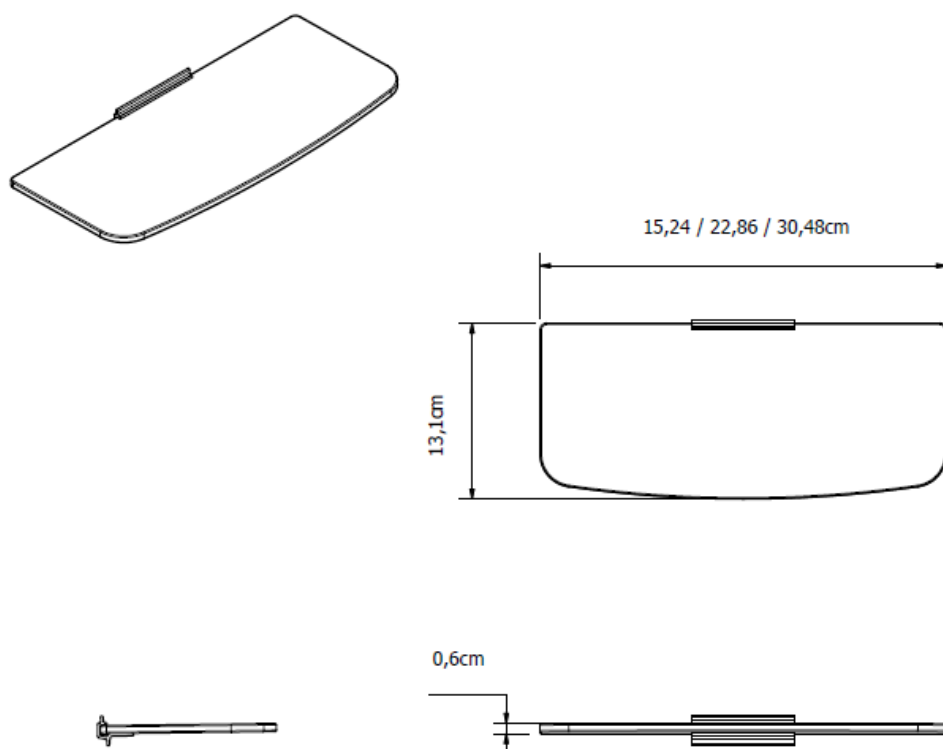
Product Code	Dimensions	Mounting	Construction
1 SBATS1	26,66 x 22,86cm	Via hook formation	0,15cm mild steel
2 SBAGS1/2/3	15,24/22,86/30,48 x 13,10cm		0,6cm glass
3 SBVS01	7,5 x 16,52cm		0,15cm extruded aluminium, aluminium die casting
4 SBPC01	10,00 x 16,53cm		0,25cm extruded aluminium, aluminium die casting
5 SBFR01	20,00 x 20,51cm		0,25cm extruded aluminium
6 SBNP01	10,00 x 16,44cm		0,25cm extruded aluminium
7 SBAI01	32,8 x 22,86cm		0,15 mild steel, 0,25cm extruded aluminium
8 SBABR1	16,81 x 28,11cm		0,15 mild steel, 0,25cm extruded aluminium
9 SA01T-BM-LP	10,00 x 16,4cm		0,25cm extruded aluminium, aluminium die casting
10 SA01QC-BM	10,00 x 16,4cm		0,25cm extruded aluminium, aluminium die casting
11 WL01-BM	7,5 x 16,4cm		0,25cm extruded aluminium, aluminium die casting

SpaceBeam I - Accessories

1 Telephone Shelf - SBATS1

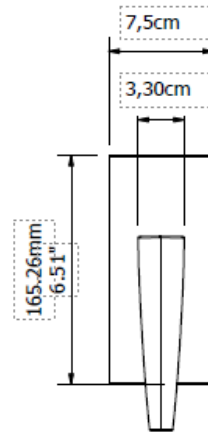
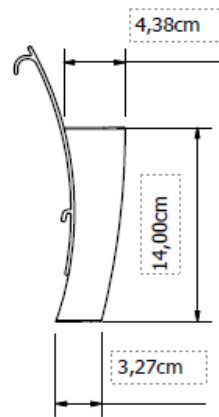
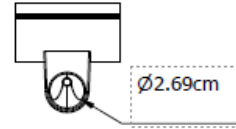


2 Small/Medium/Large Glass Shelf - SBAGS1/2/3

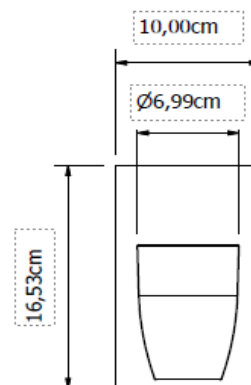
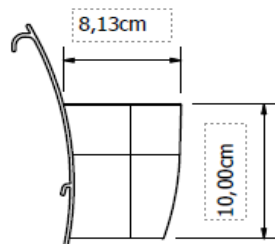
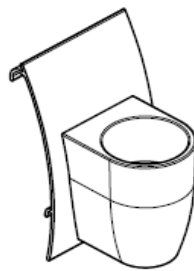


SpaceBeam I - Accessories

3 Vase - SBVS01

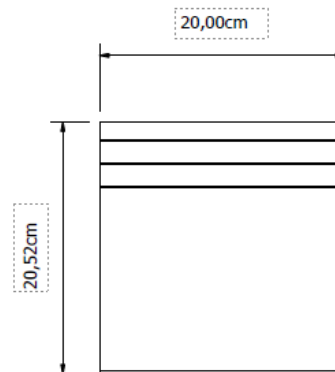
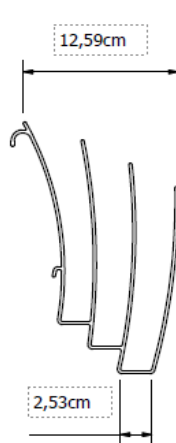
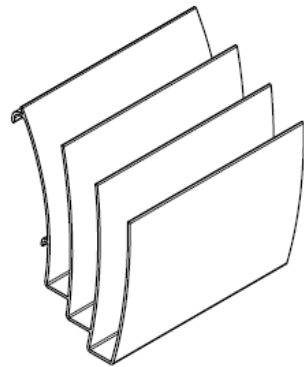


4 Pencil Cup - SBPC01

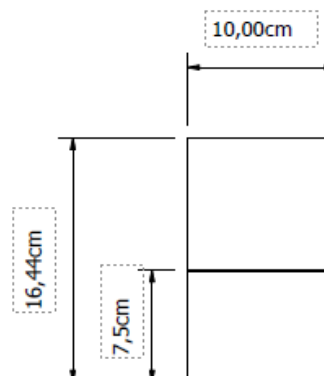
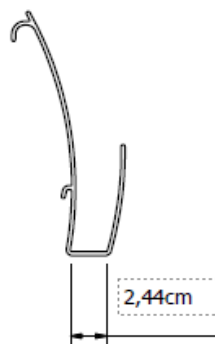
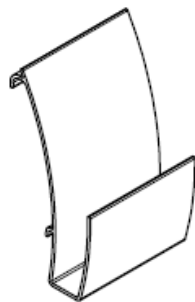


SpaceBeam I - Accessories

5 File Rack - SBFR01

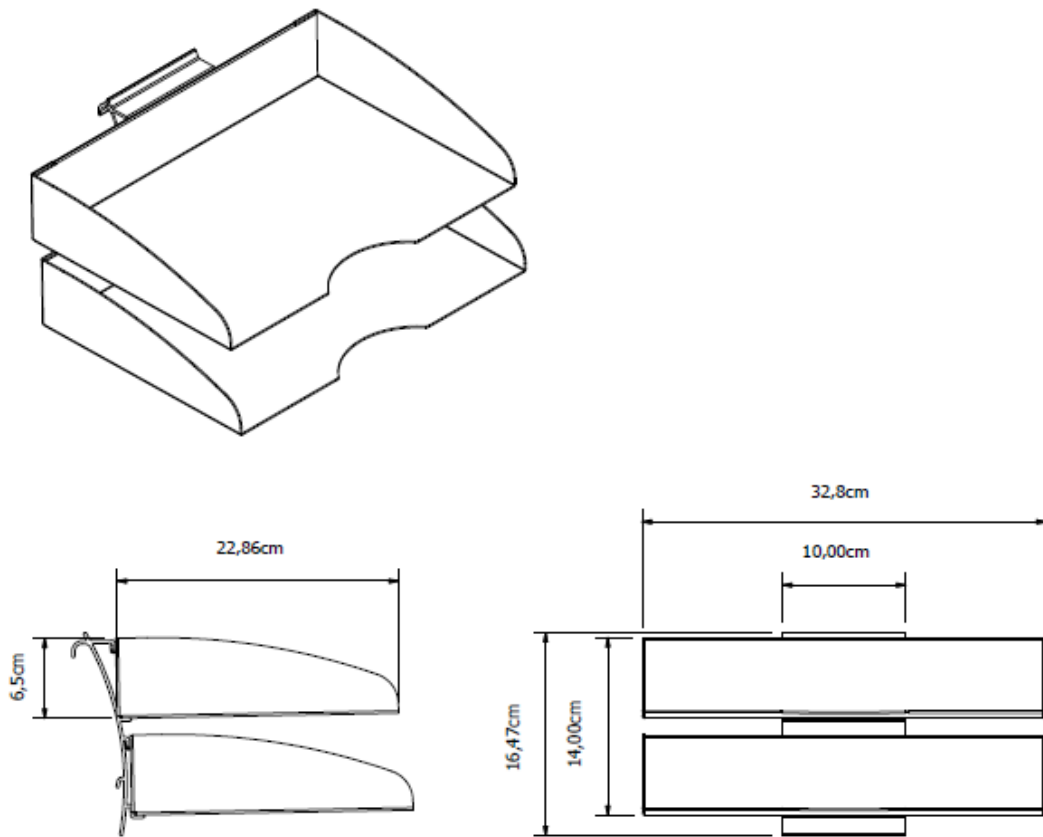


6 Notebook Holder - SBNP01

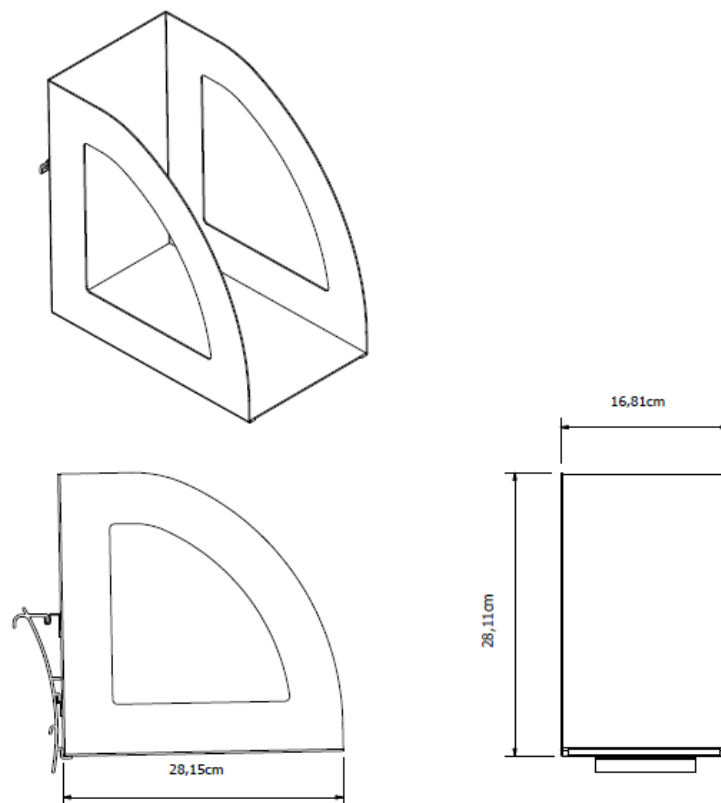


SpaceBeam I - Accessories

7 In Out Tray - SBAI01

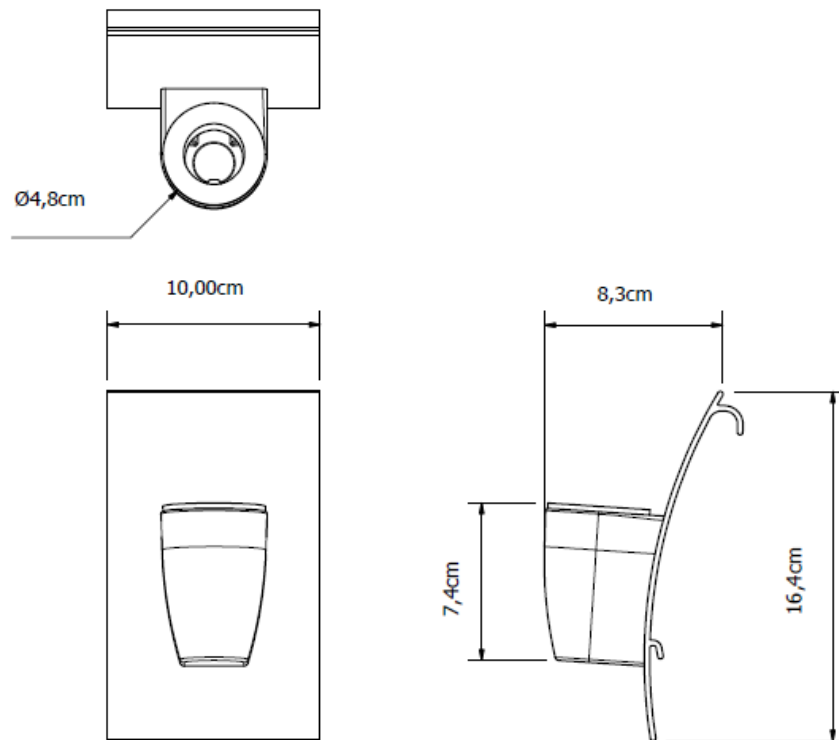


8 Binder Bin - SBABR1

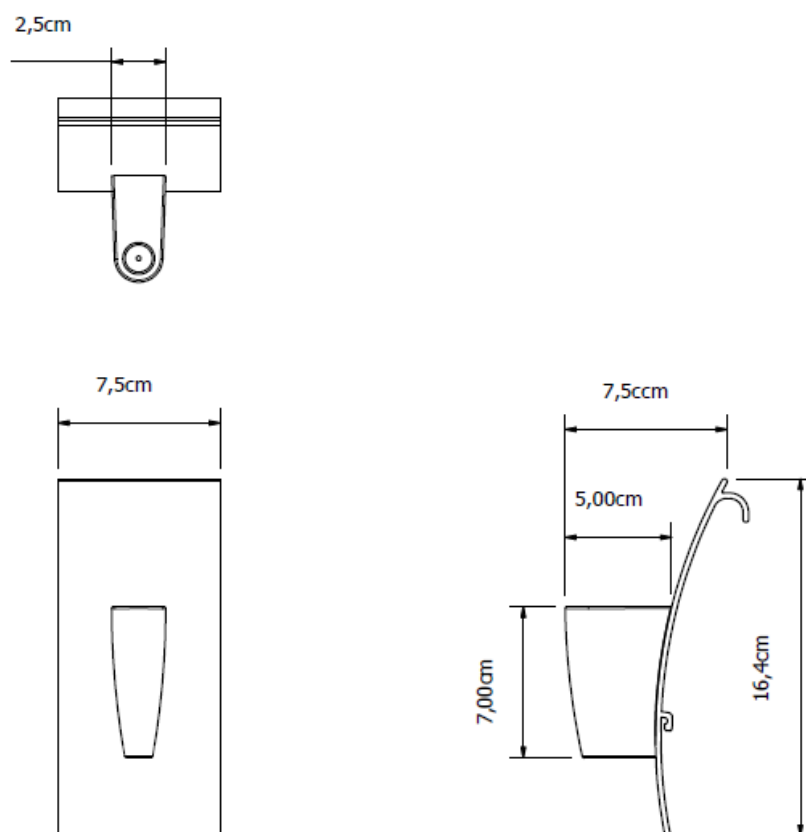


SpaceBeam I - Accessories

9 10 Mount for SpaceArm - BM



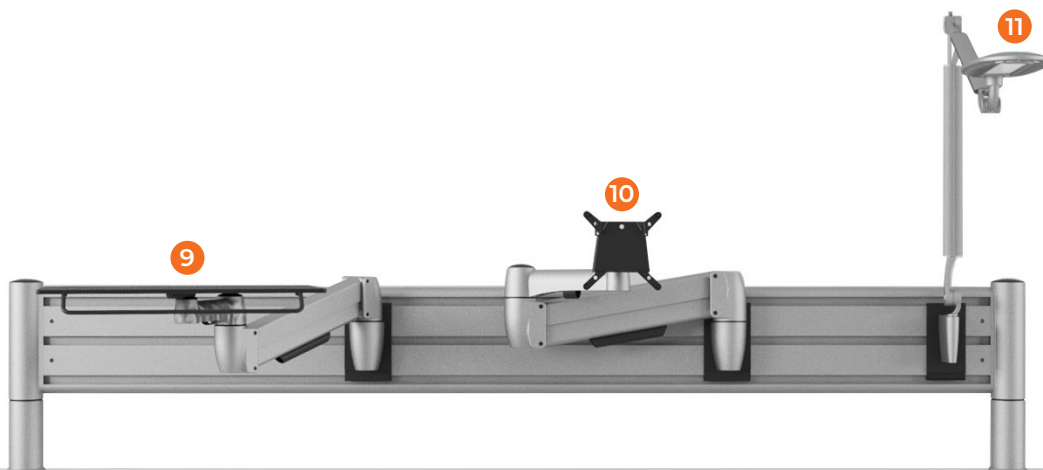
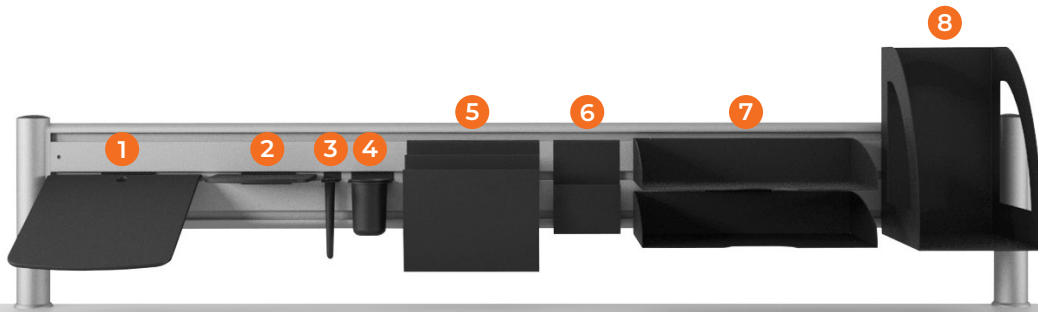
11 Mount for Wave light - WL00BM



SpaceBeam II Accessories

SpaceBeam II has a number of unique accessories to create a flexible, reliable and robust solution.

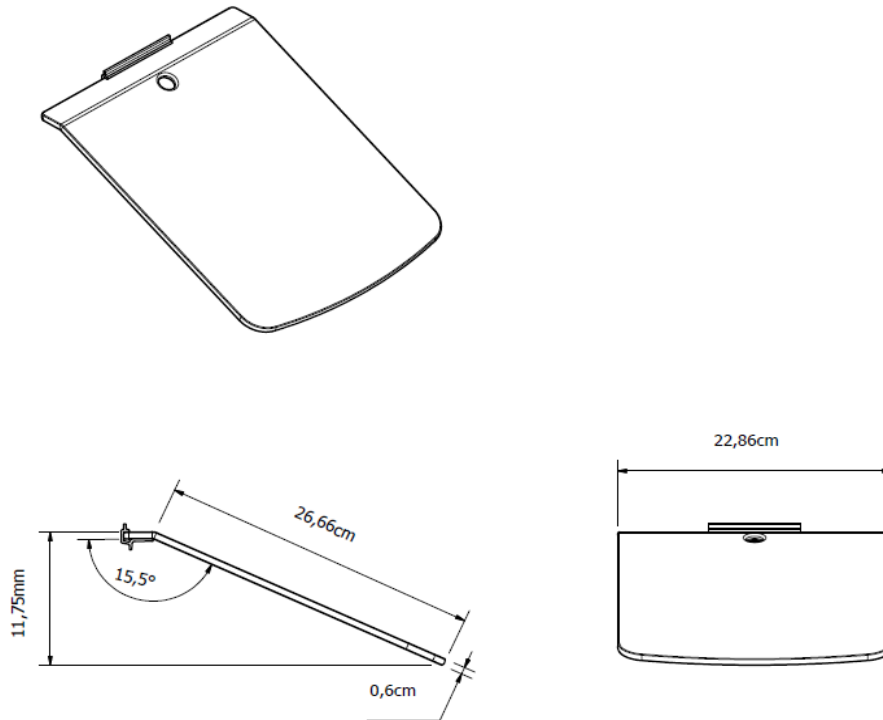
- 1 Telephone Shelf
- 2 Glass Shelf (3 sizes available)
- 3 Vase
- 4 Pencil Cup
- 5 File Rack
- 6 Notebook Holder
- 7 In Out Tray
- 8 Binder Bin
- 9 Laptop Platform
- 10 SpaceArm
- 11 Wave Light



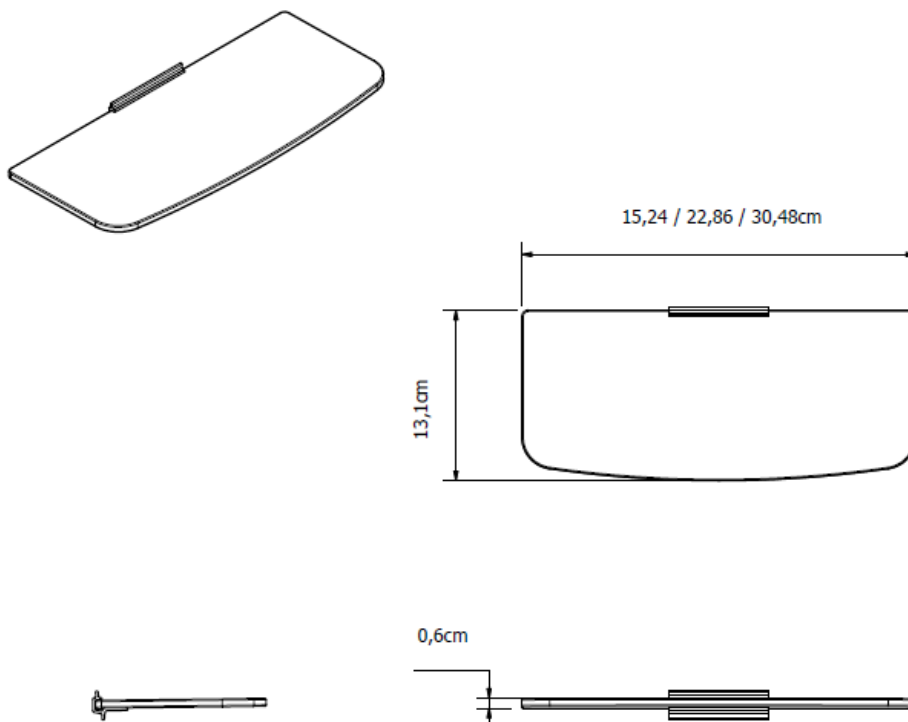
Product Code	Dimensions	Mounting	Construction
1 SBATS2	26,66 x 22,86cm	Via hook formation	0,15cm mild steel
2 SBAGS1/2/3	15,24/22,86/30,48 x 13,1cm		0,6cm Glass
3 SBVS02	2,63 x 12,00cm		0,15cm mild steel, glass
4 SBPC02	6,43 x 8,3cm		0,15cm mild steel, glass
5 SB2FR01	20,00 x 19,25cm		0,15cm mild steel
6 SB2NP01	10,00 x 13,99cm		0,15cm mild steel
7 SB2AI01	32,8 x 22,86cm		0,15cm mild steel
8 SB2ABR1	16,81x 28,11cm		0,15cm mild steel
9 SA01T-VM-ADJL4-LP	7,00 x 9,55 - 12,05cm		0,15cm mild steel, aluminium die casting
10 SA01QC-VM-ADJL4	7,00 x 9,55 - 12,05cm		0,15cm mild steel, aluminium die casting
11 WL01-VM-ADJL4	5,81 x 9,55 - 12,05cm		0,15cm mild steel, aluminium die casting

SpaceBeam II - Accessories

1 Telephone Shelf - SBATS2

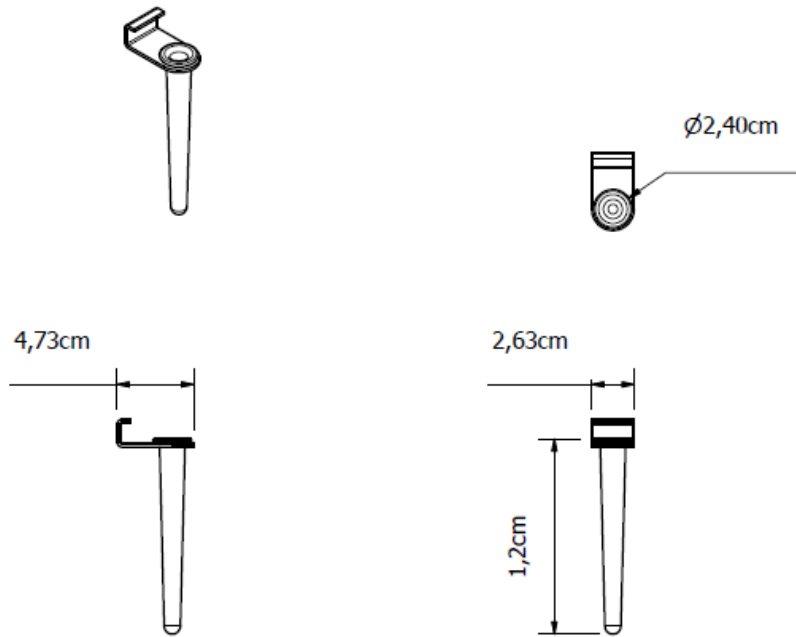


2 Small/Medium/Large Glass Shelf - SBAGS1/2/3

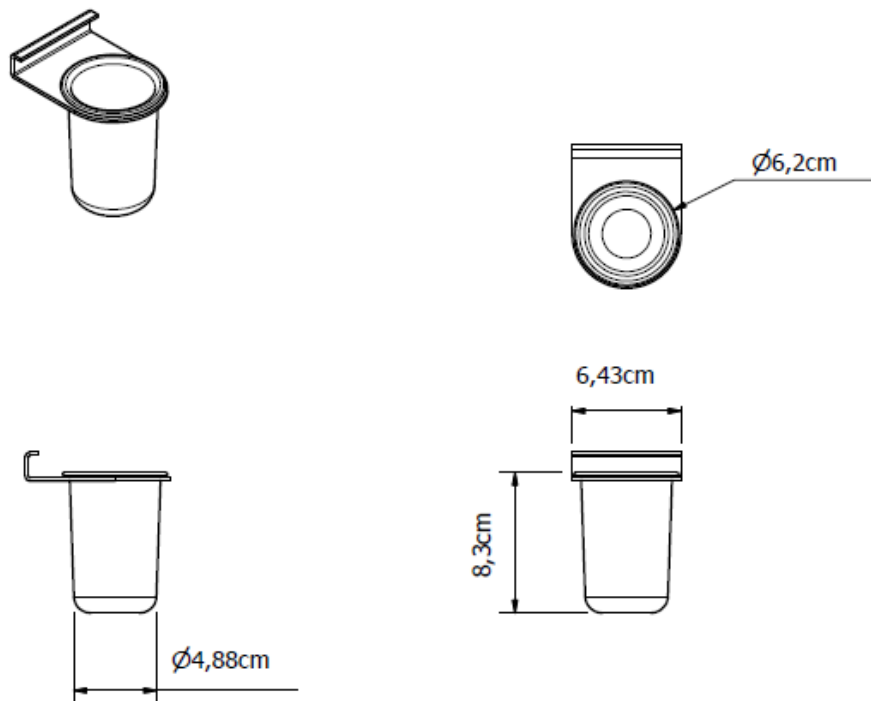


SpaceBeam II - Accessories

3 Vase - SBVS02

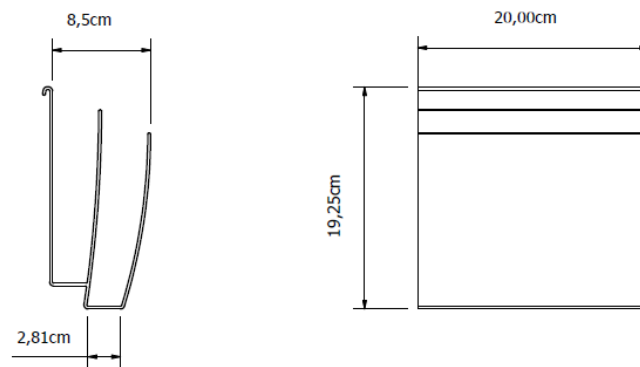
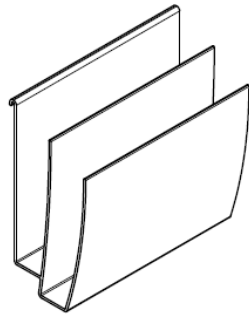


4 Pencil Cup - SBPC02

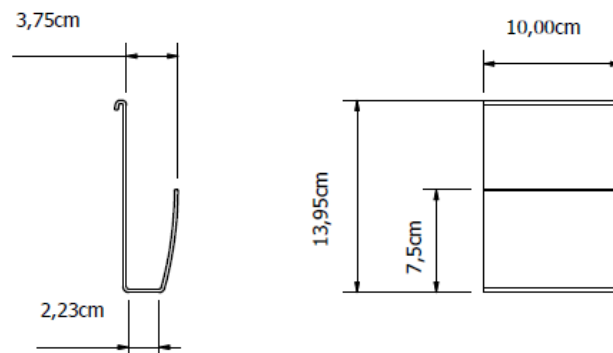
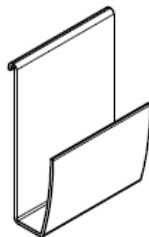


SpaceBeam II - Accessories

5 File Rack - SB2FR01

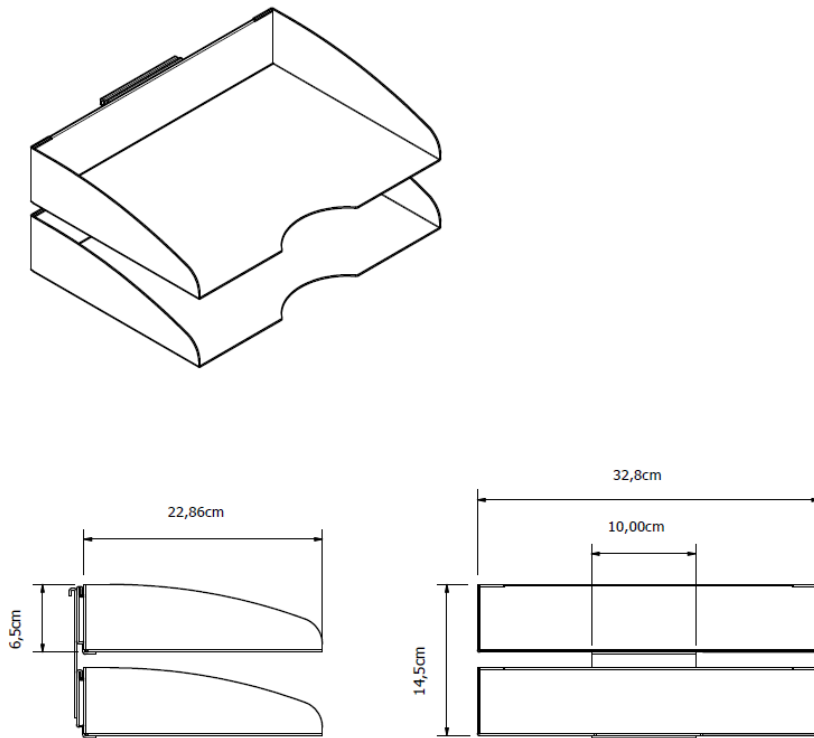


6 Notebook Holder - SB2NP01

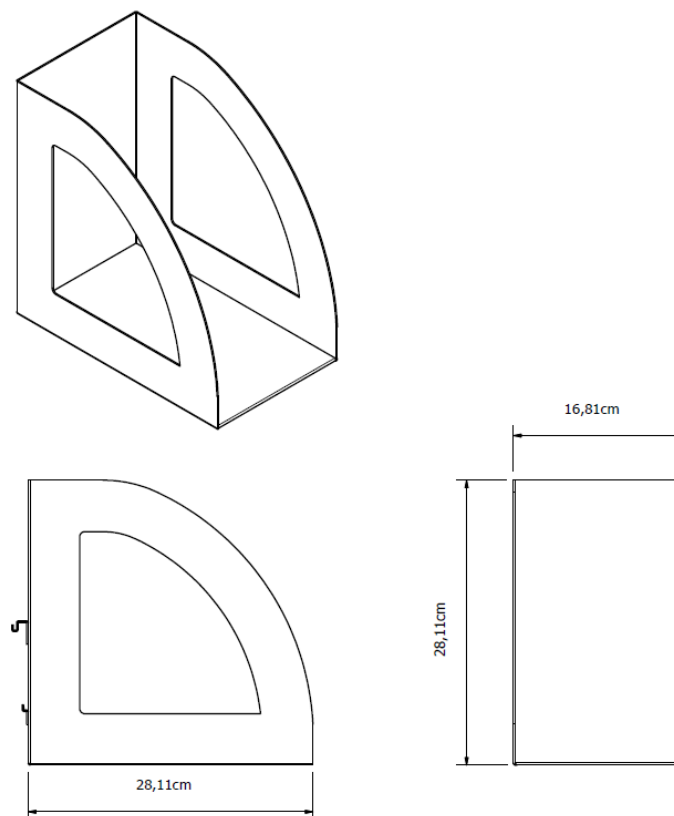


SpaceBeam II - Accessories

7 In Out Tray - SB2AI01

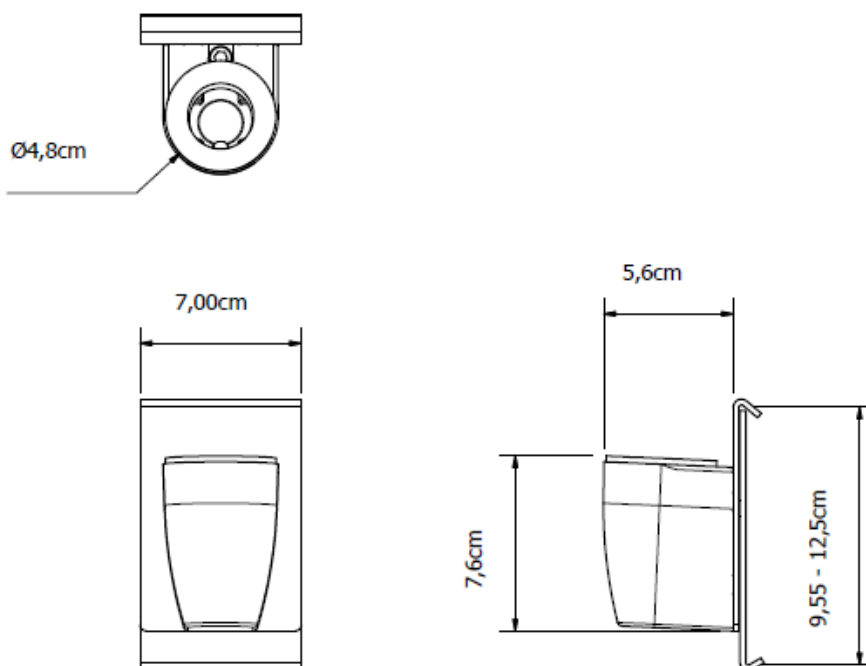


8 Binder Bin - SB2ABR1

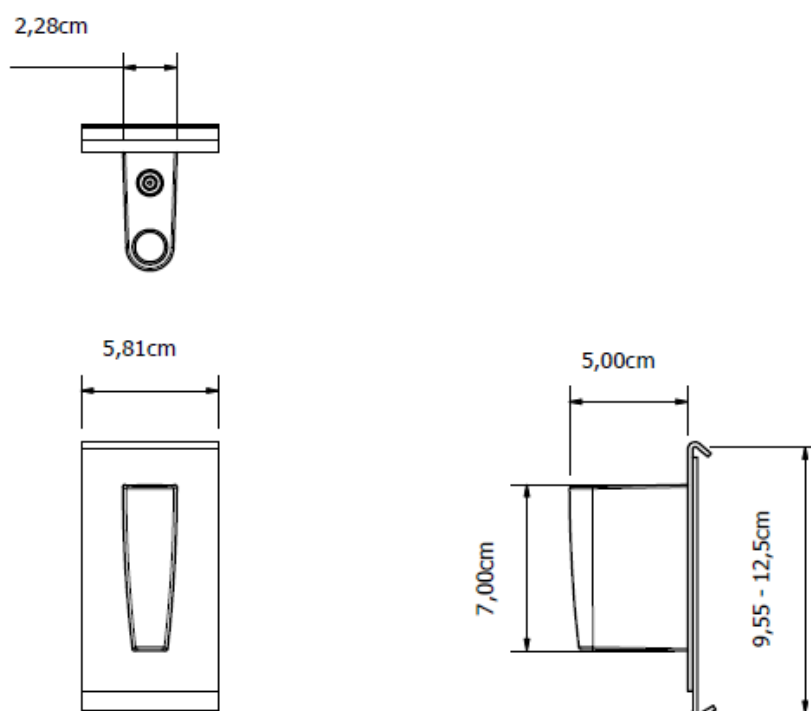


SpaceBeam II - Accessories

9 10 Mount for SpaceArm - VM-ADJL4



11 Mount for Wave light - WL00VM-ADJL4





Create workspaces that work.

Contact Adapt Deutschland GmbH for more information,
pricing and samples.

+49 (0) 2151 98519 0

infode@adapt-global.com

www.adapt-deutschland.eu