

Tern LED Task Light

One luminaire for all occasions.

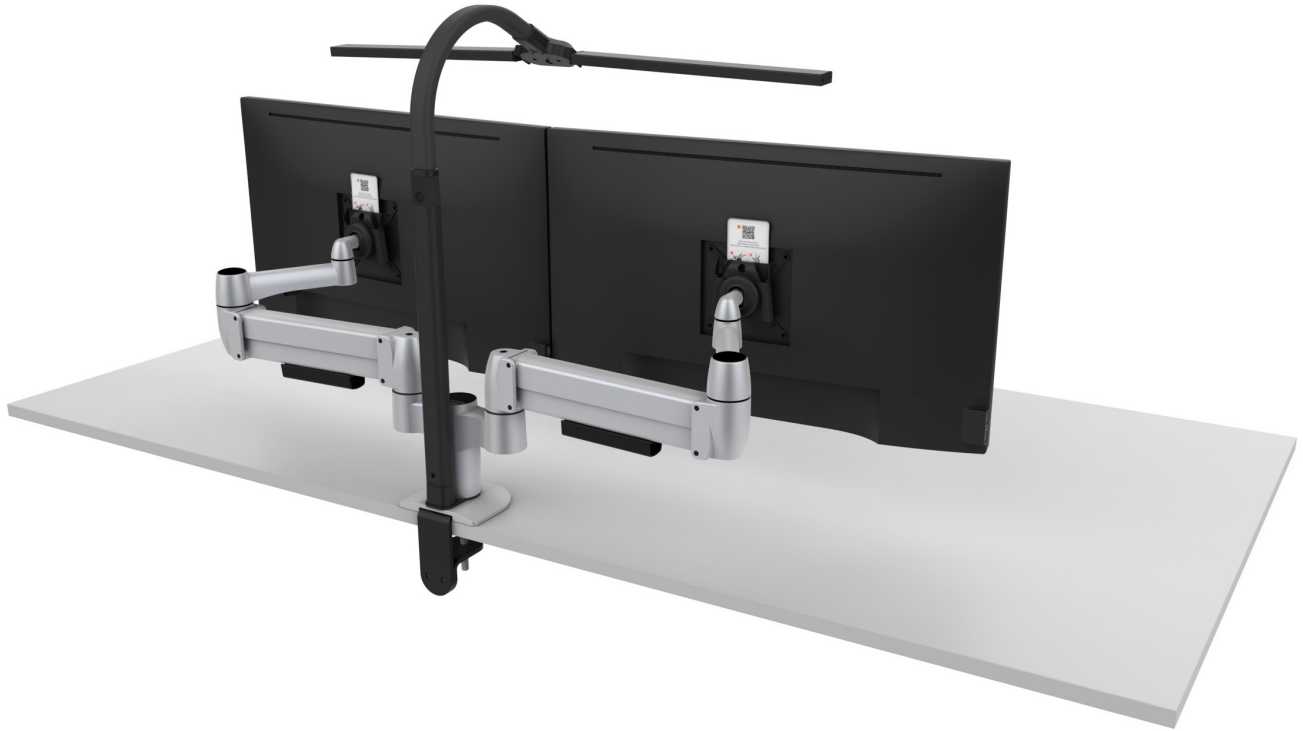
Single monitors are becoming increasingly rare, and screens are growing larger and larger.



Office work is now almost exclusively carried out at desks with two or more monitors, making it increasingly strenuous for people's eyes. This trend drives the importance of high-quality, customisable illumination of the working environment to maintain performance and minimise eye strain.

With TERN, Adapt offers a unique, wide-angle lighting product with optimum flexibility in all directions. This complete flexibility ensures uniform illumination of the table surface, preventing shadows and providing optimum working conditions.

Mounting Options



SpaceArm Mount

The TERN light is attached directly to the SpaceArm mounting hub, ensuring ideal central positioning on double-monitor mounts with a space-saving shared table.



C-Clamp

As standard, the TERN LED table lamp is available with a C-clamp attachment. This allows it to be securely attached in the required position at the rear or side edge of the tabletop.



Tool Free

Tool-free installation, regardless of the mounting method.

Product Code	Description
LIHT-N3-T-CC-BLK	TERN LED table lamp with C-Clamp, colour black
LIHT-N3-T-SACC-BLK	TERN LED table lamp with SpaceArm adapter + C-Clamp, colour black
SPCA-514BK	Adapter for Tern Lighting, Assembly to SpaceArm Hub - Black



Key Features



The flexible support post guides the Tern over the monitors onto the work surface and keyboard for optimum positioning of illumination.



The two lighting arms can be easily adjusted to match the angle of the monitors.



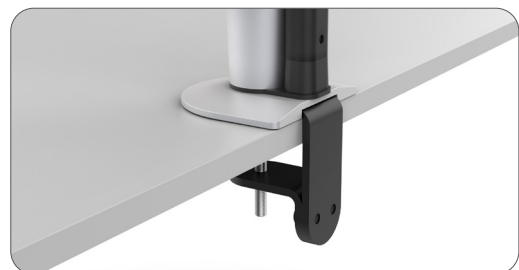
Furthermore, the two light strips can be independently swivelled to direct light to where it is required.



The two rotating light strips can also be used as a cantilevered table lamp when positioned in parallel.



Dimmable and colour temperature-adjustable illumination of the table surface in front of the monitors, without hot spots or glare.



Shared attachment of the monitor arm and light for easier installation and more space on the table surface.



The lamp head features intuitive controls for the lighting functions, accessible via switches conveniently located within reach of the user.



A multifunction remote controller with lighting presets is also included.

Light Adjustment

Multiple dimming and colour temperature adjustments.

Warm White
2700 K



Daylight
4000 K

Cold White
6500 K



10%



20%



30%



40%



50%



60%



70%



80%



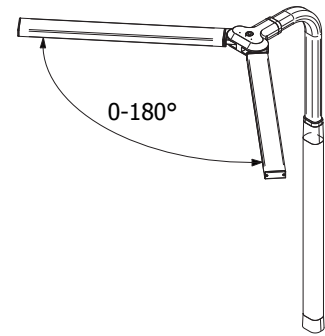
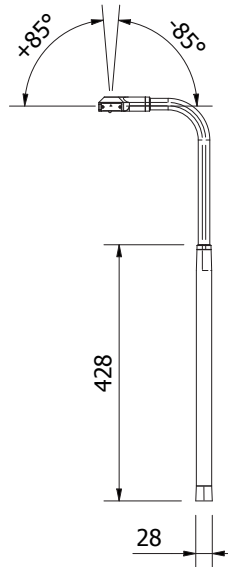
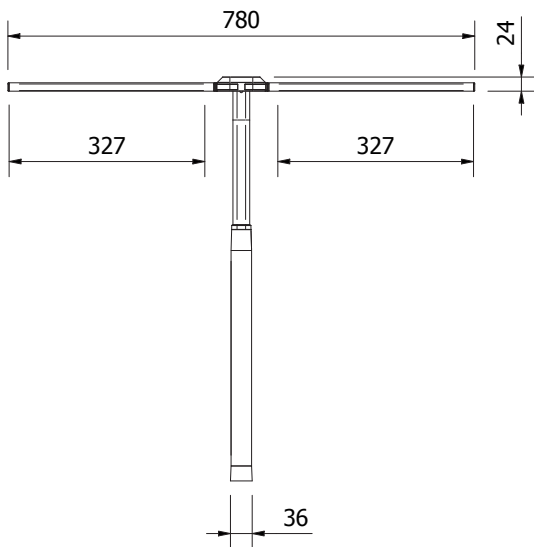
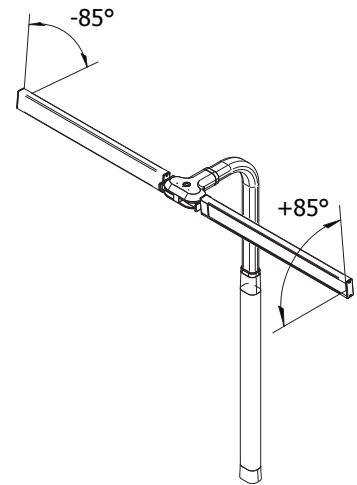
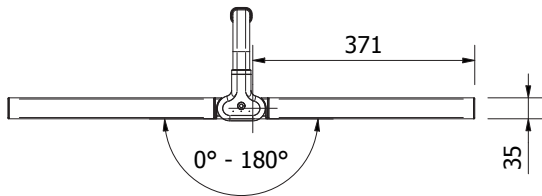
90%



100%
1400 Lux



Technical Specifications

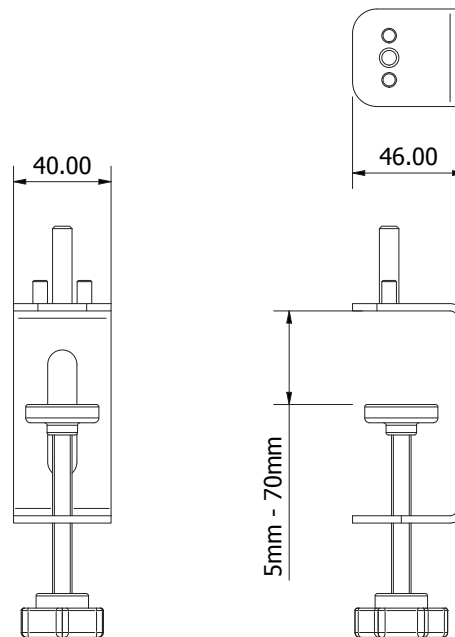


- **Materials** - Aluminium and plastics (ABS, PVC)
- **Colour** - Black
- **Colour temperature** - 2700K -6500K, 10-step adjustable
- **Brightness** - 10-step adjustable (Max 1400 Lux at 6500 Kelvin)
- **Output** - 240V= 10A, 24W
- **Input** - 220-240V
- **CE conformity** - Yes
- **Energy Efficiency Class** - F
- **Protection class** - IP20
- **Warranty** - 2 Years

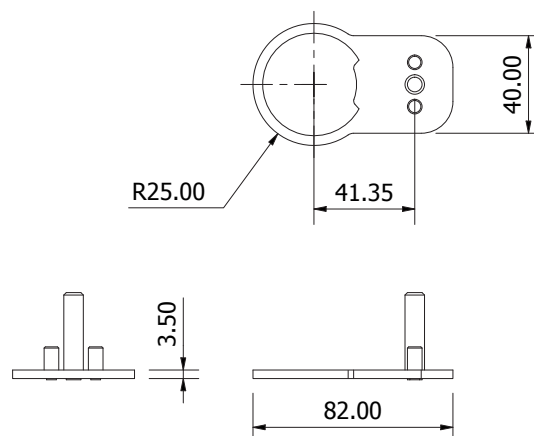


Technical Specifications

Standard C-Clamp



SpaceArm Mount





Create workspaces that work.

Contact Adapt Deutschland GmbH for more information,
pricing and samples.

+49 (0) 2151 985 190

info@adapt-deutschland.eu

www.adapt-deutschland.eu