

Tubo Monitor Light Bar

Why should you use a monitor light bar?

Whether your job is office-based or home-based, you use a laptop or standalone monitors, most of your working day is based around a computer screen. And when you are not working, you may be surfing the internet, keeping up with social media or gaming. Stop and think about how much time you spend staring at a screen.

Even if you have invested in the most up-to-date desk light in your work area, it is only going to provide an advantage for writing and reading tasks. The areas that are important when working at a computer screen often remain dark or shaded.



Monitor Users Need Specialised Lighting.

Monitor light bars, such as Tubo, help alleviate eye strain from prolonged monitor use by reducing lighting contrast and eliminating glare on your screen, thereby creating a more comfortable environment for all screen-based activities.

As with all Adapt Lighting products, user comfort, improved ergonomics, health, and well-being are at the forefront of our solutions.

Key Features and Benefits



Tubo's asymmetric design and custom optical glass help to reduce eye fatigue by eliminating high contrast areas, shadows and screen glare.



The Tubo light bar fits onto most curved or straight monitors as well as laptop screens, enabling you to target the light where you need it for maximum comfort and flexibility, whatever your set-up.



Tubo features simple controls on the light bar itself as well as an intuitive and convenient wireless remote control "puck". Multiple Tubo lights can be paired to one puck.



Take control of your lighting environment with simple-to-use dimmer and colour temperature adjustments and high Ra95 colour rendering index for natural colours.



The Tubo light bar provides exceptional performance without taking up any space on your desk or working area.



Tubo minimises disturbances with focused illumination compared to traditional LED lamps, making it ideal for working, surfing or gaming after dark.



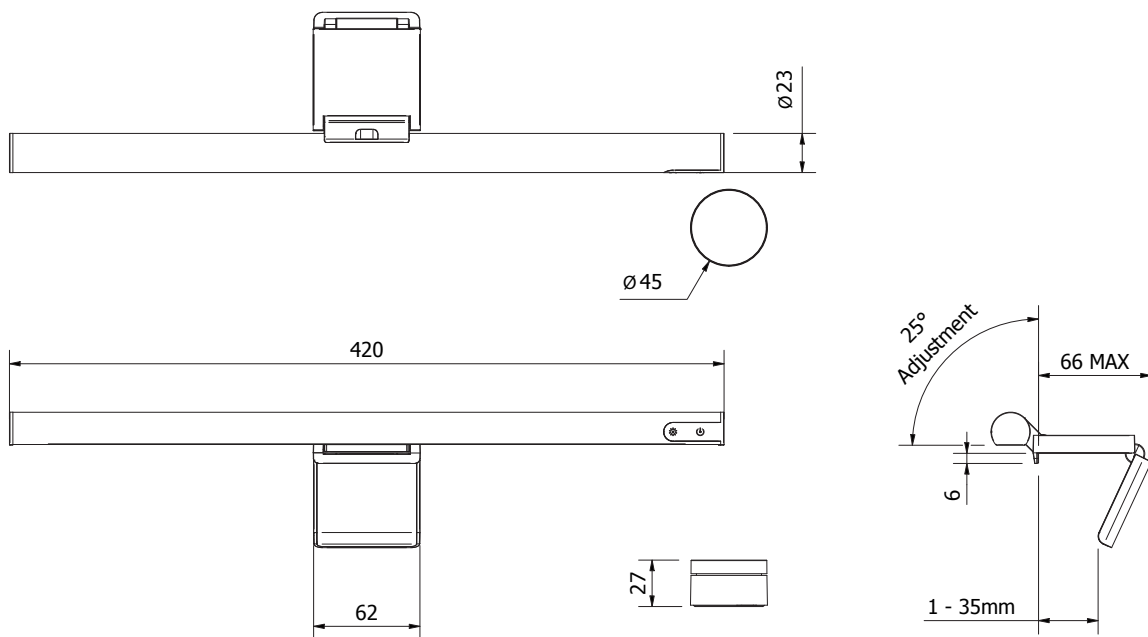
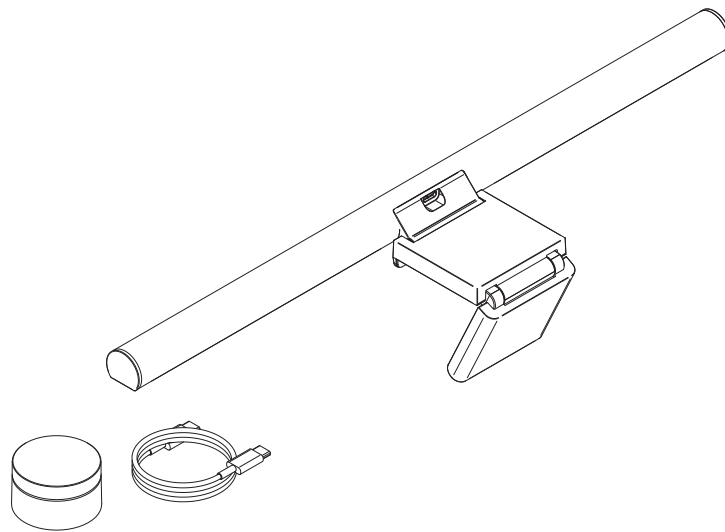
Save energy by only lighting your working area rather than the entire room.



Low-voltage USB-powered LED lighting with a unique magnetic clip-on light bar makes Tubo safe, simple to install and easy to move around.



Technical Specifications



- **Output** - 270 Lumens
- **Beam angle** - 110°
- **Colour temperature** - 2700 to 6500 Kelvin
- **Connector** - USB-C
- **Power supply** - 5V x 1A
- **Energy class** - G
- **Max Brightness** - 550 Lux at 6500 Kelvin
- **Remote control puck** - 2.4-GHz wireless connection
- **Operating temperature** - -10 to +40°C
- **Construction** - Main components made of aluminium
- **Warranty** - 2 Years





Create workspaces that work.

Contact Adapt Deutschland GmbH for more information,
pricing and samples.

+49 (0) 2151 985 190

info@adapt-deutschland.eu

www.adapt-deutschland.eu